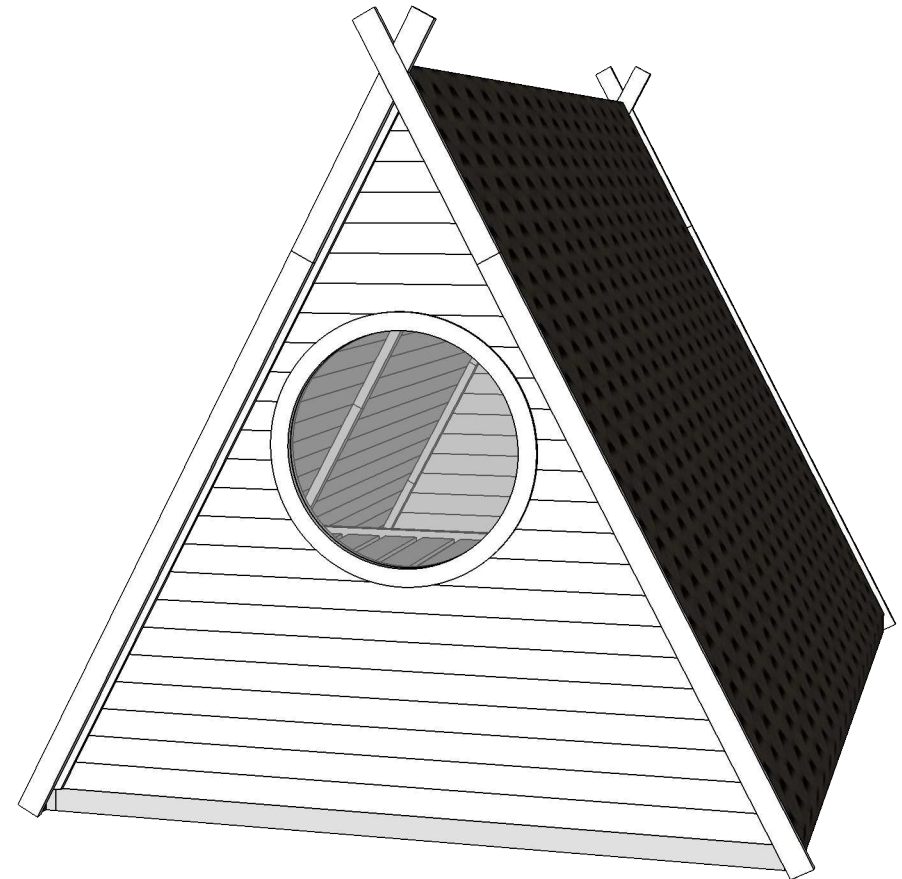
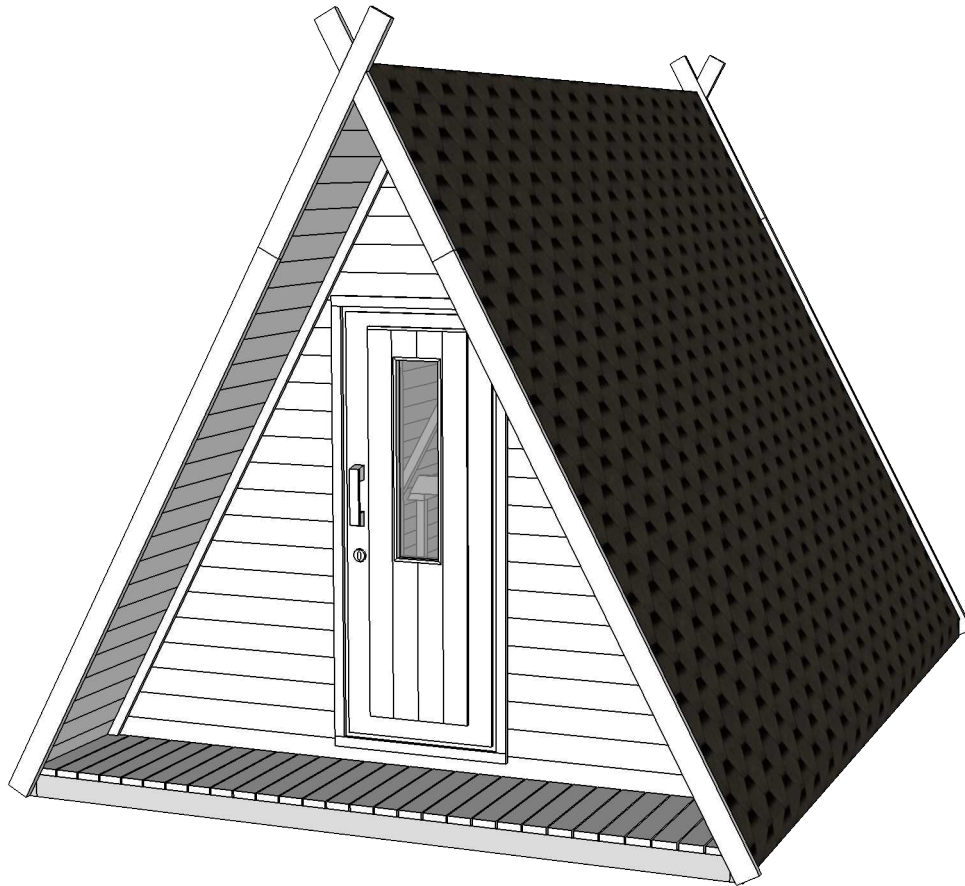


POD triangular 3x4,4

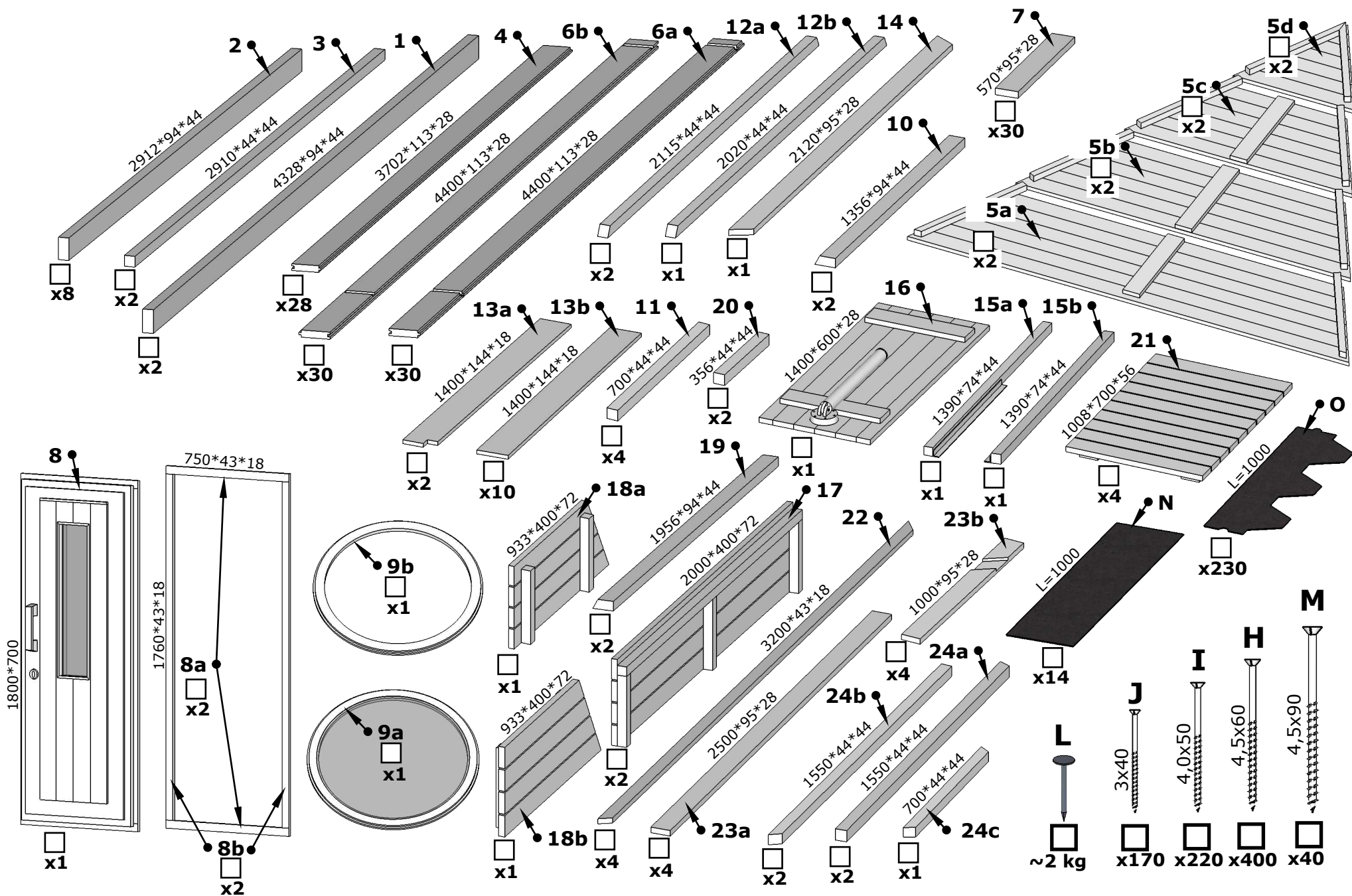
Please read whole installation manual before You start

All given measurements are in millimeters.

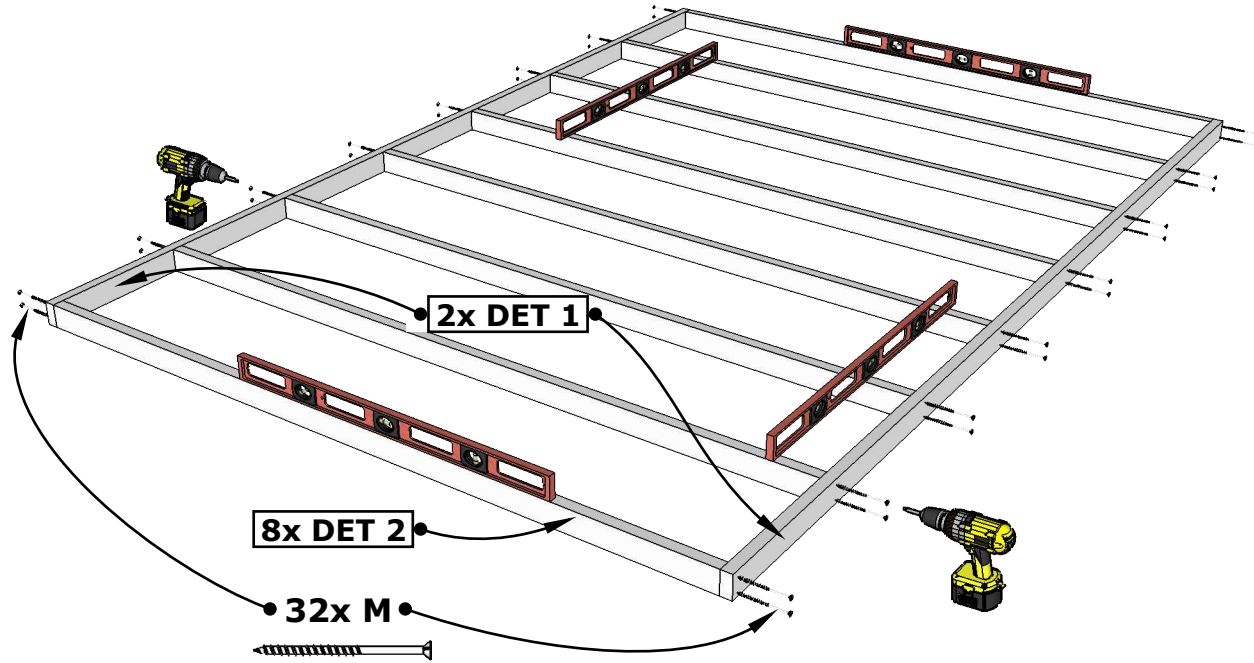
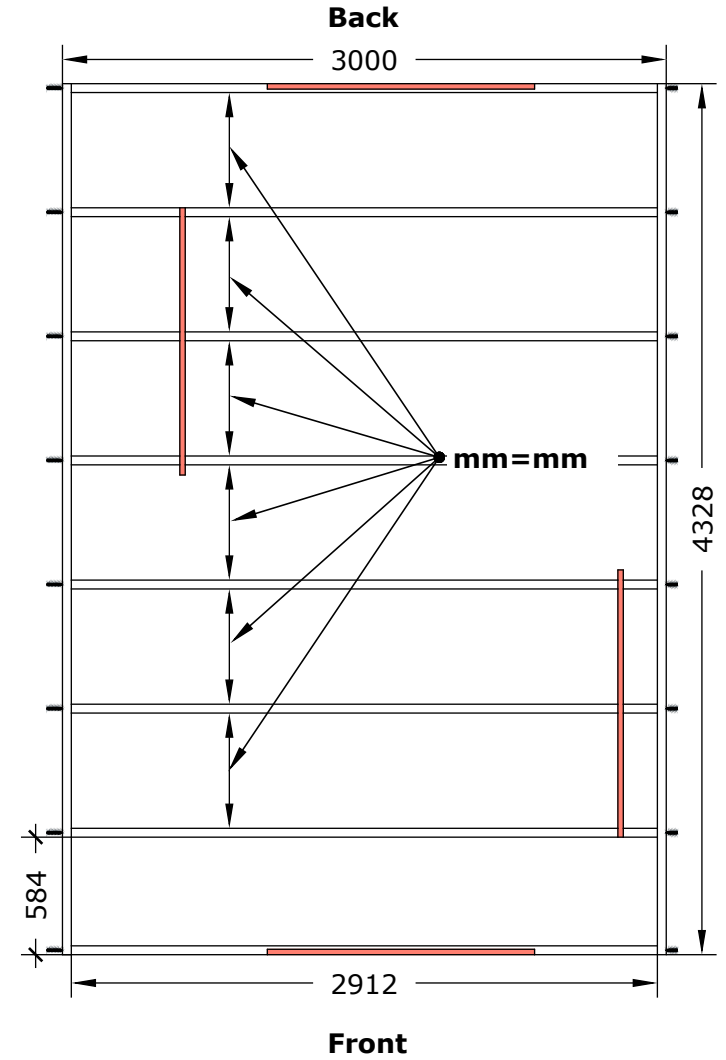
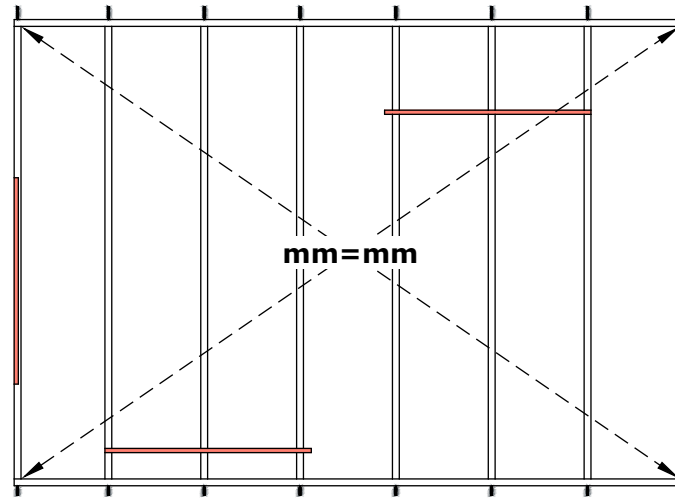
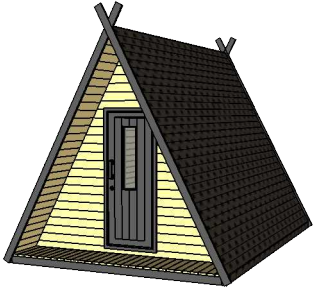


POD triangular 3*4,4

Details List.

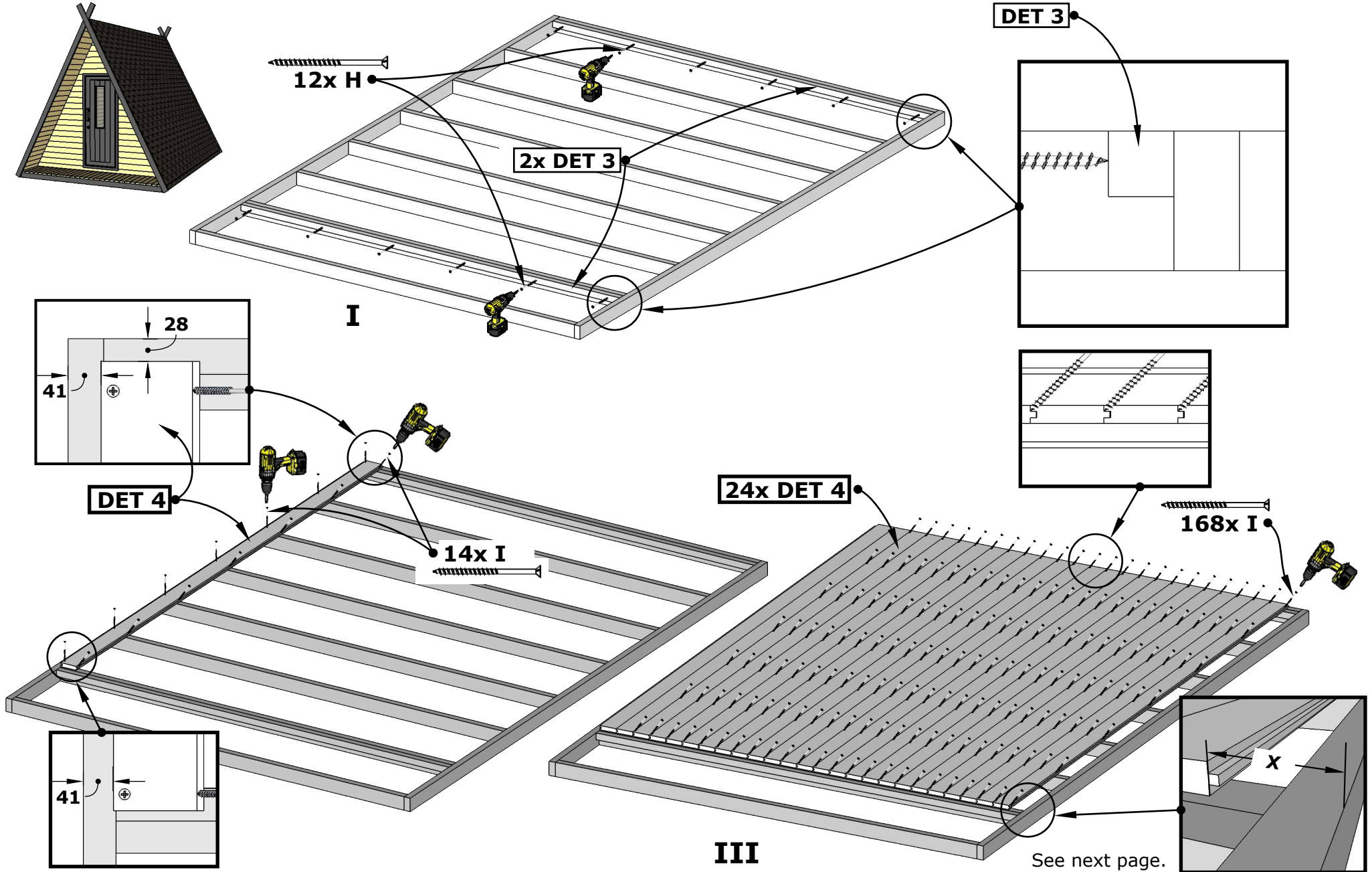


POD triangular 3x4,4



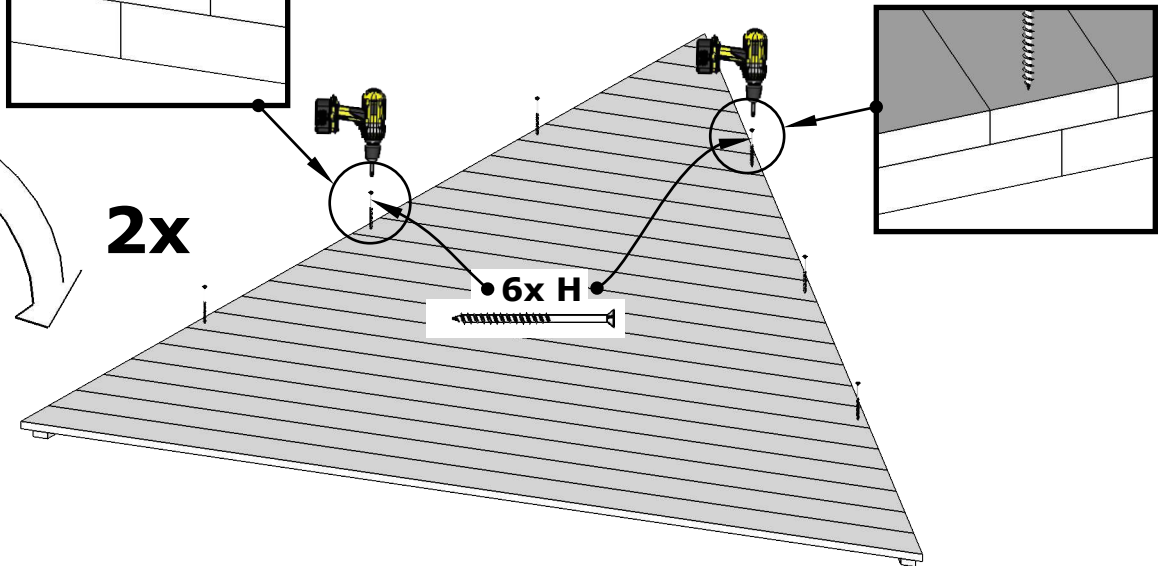
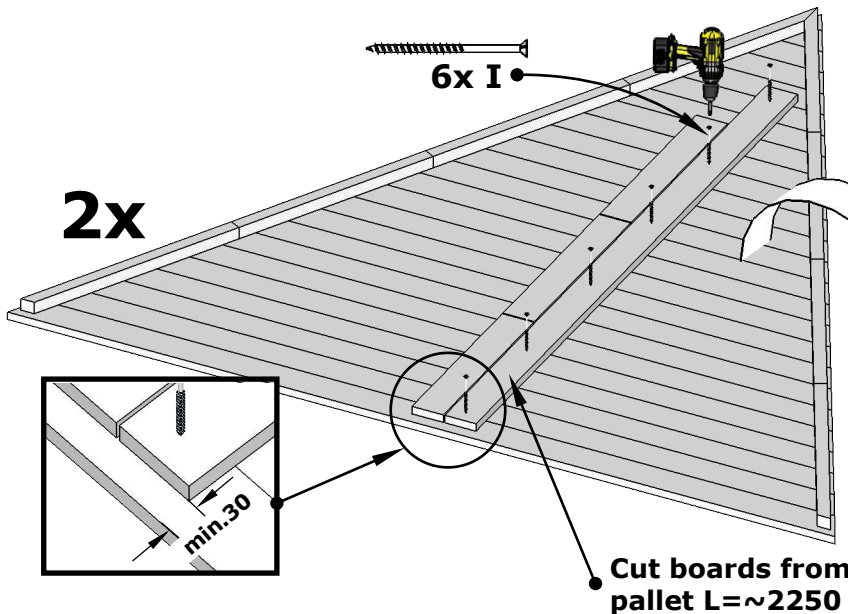
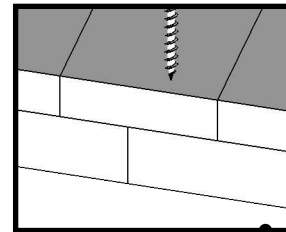
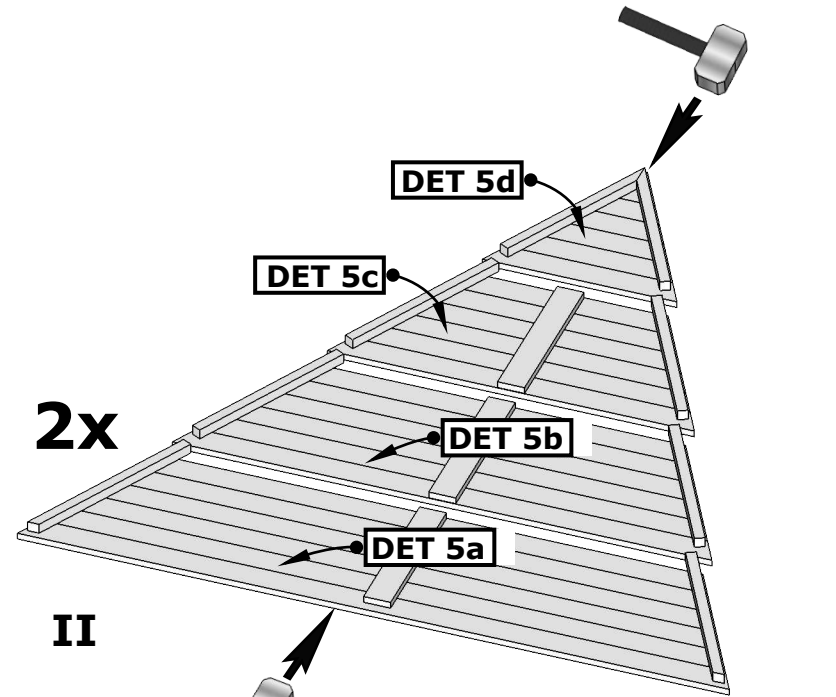
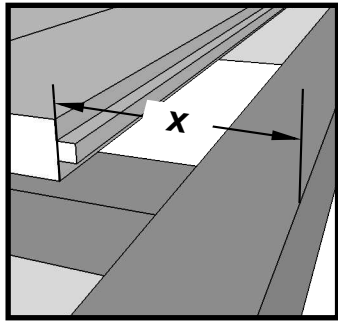
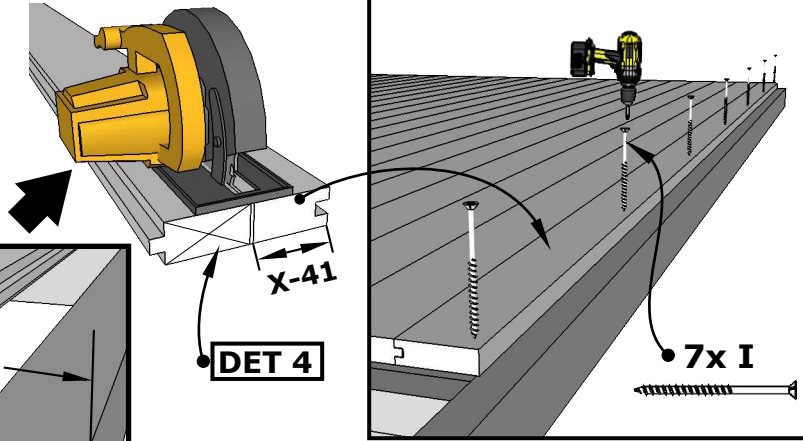
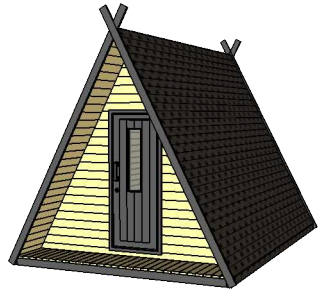
1.

POD triangular 3x4,4

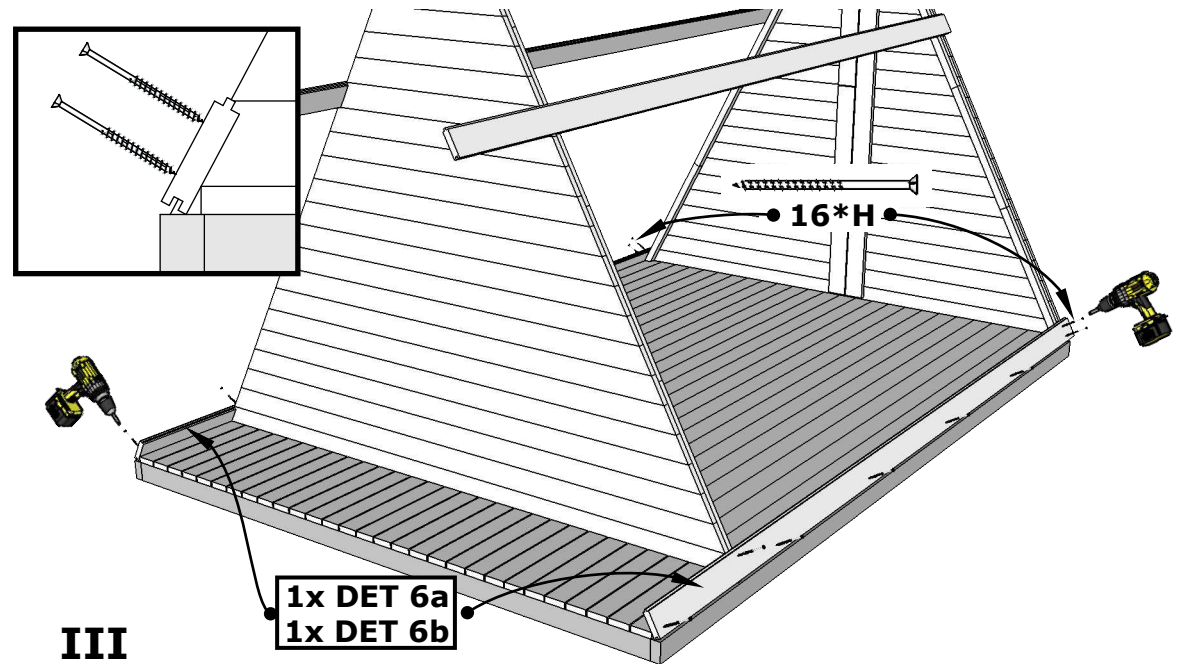
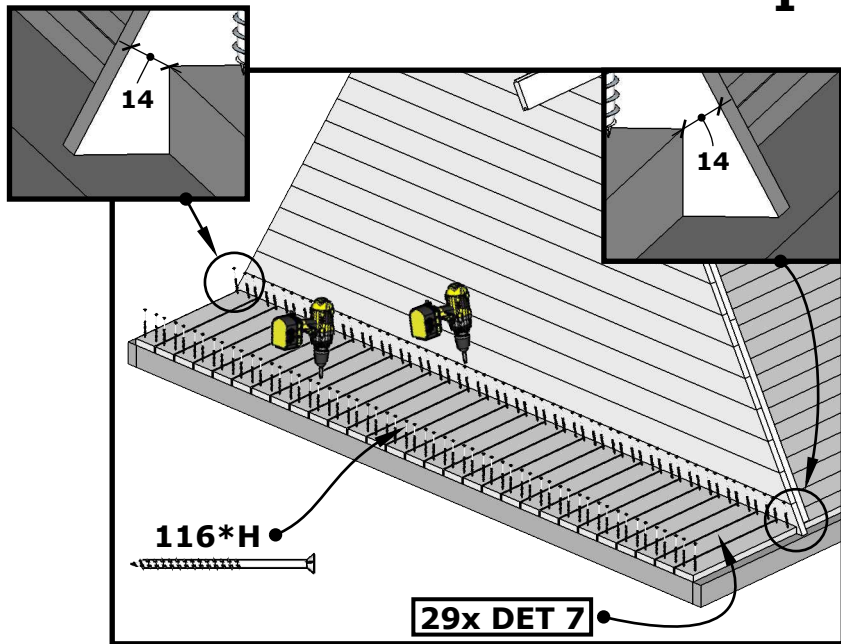
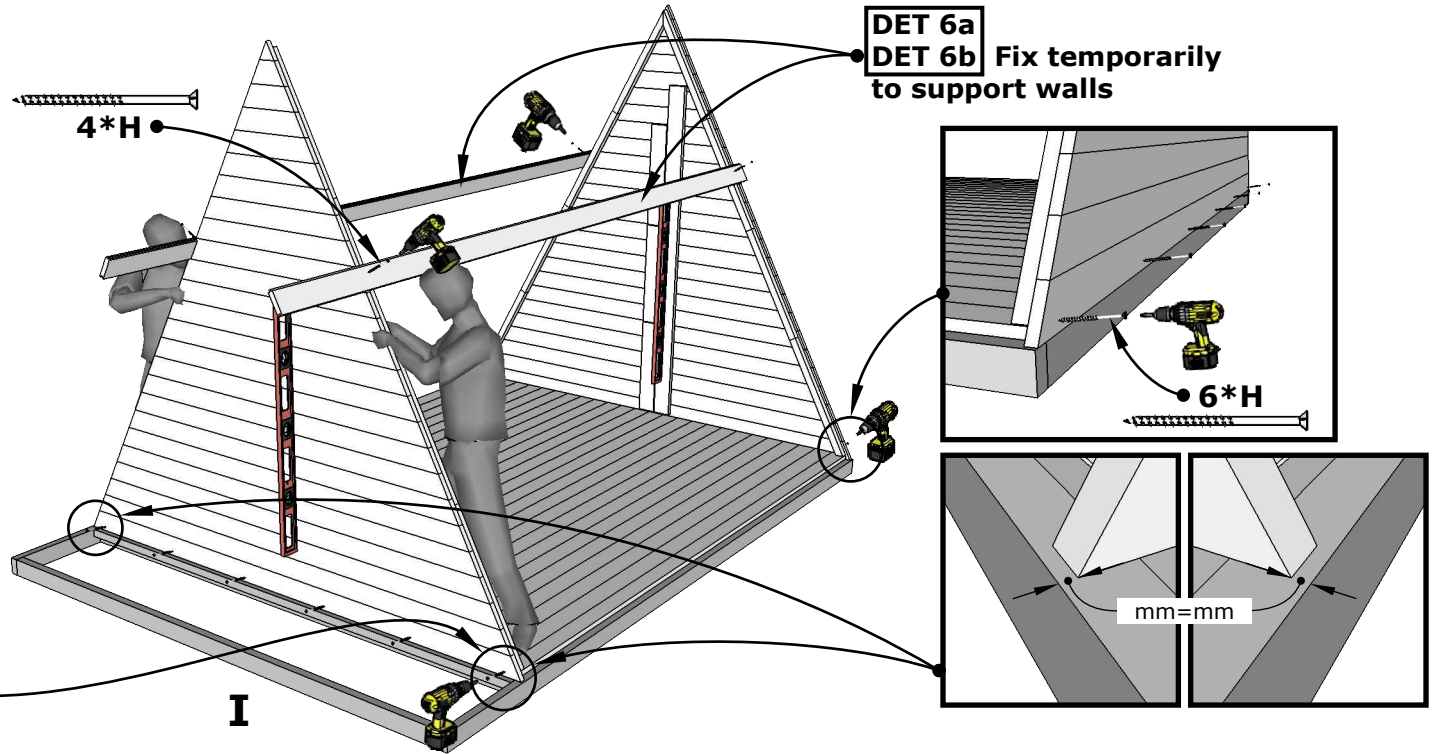
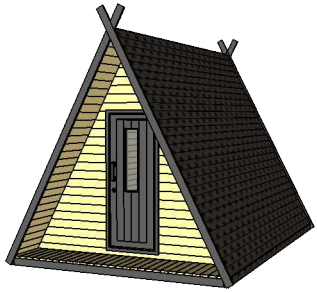


See next page.

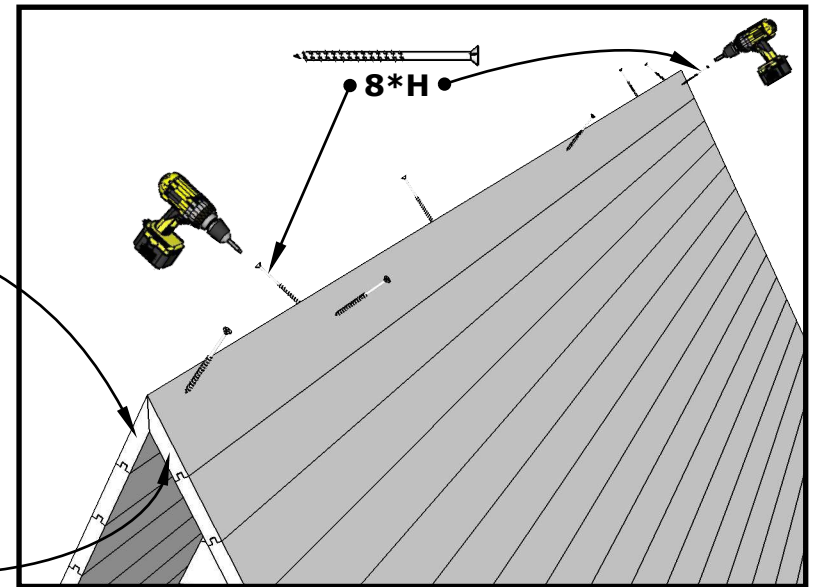
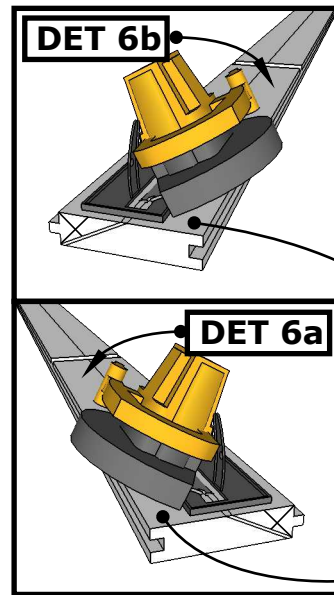
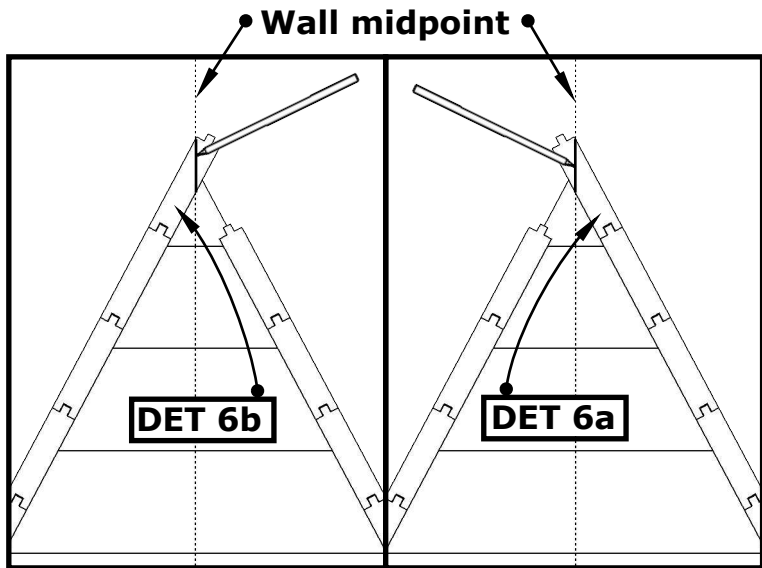
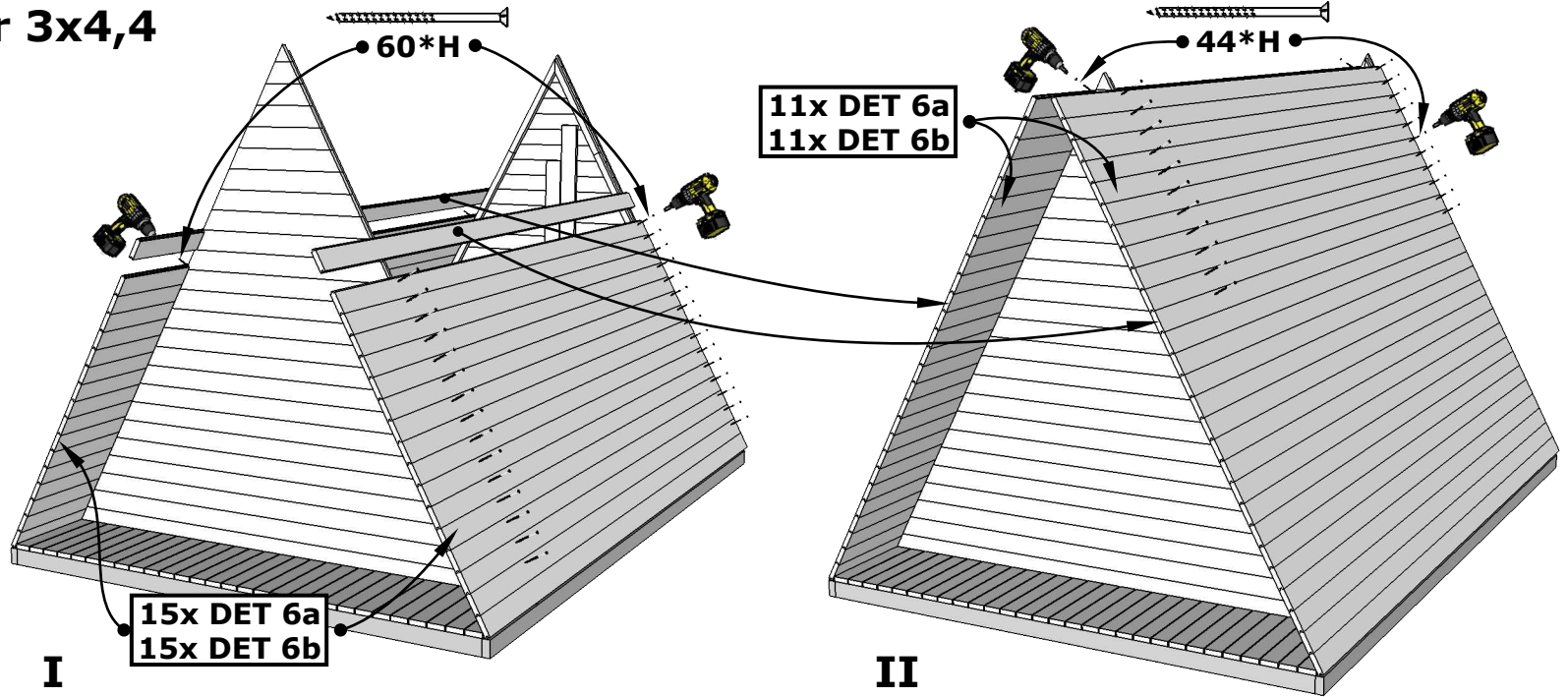
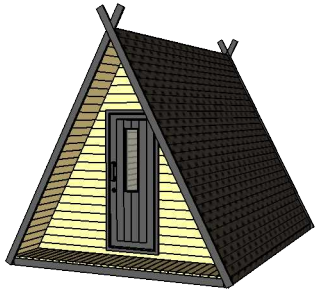
POD triangular 3x4,4



POD triangular 3x4,4



POD triangular 3x4,4

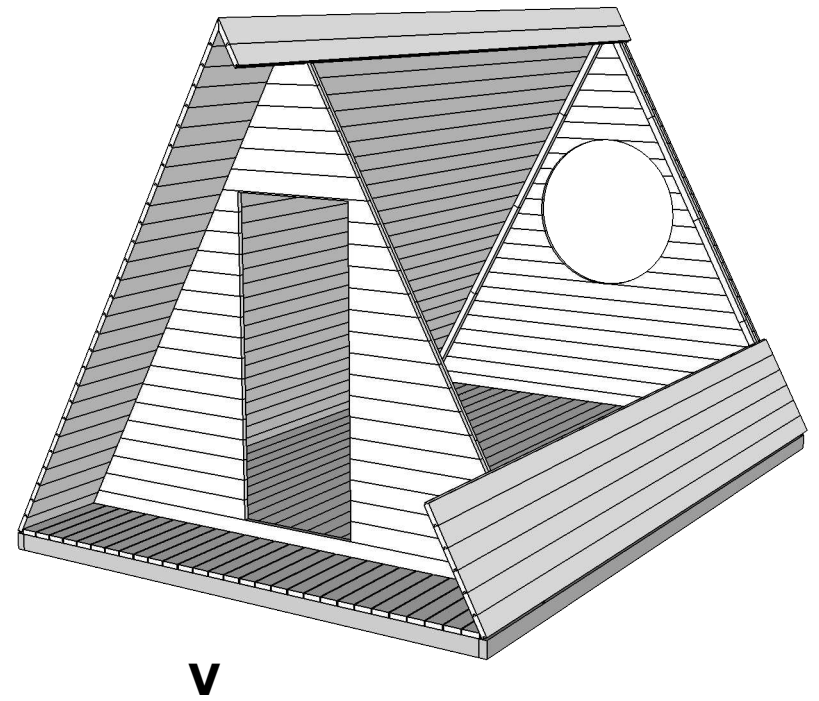
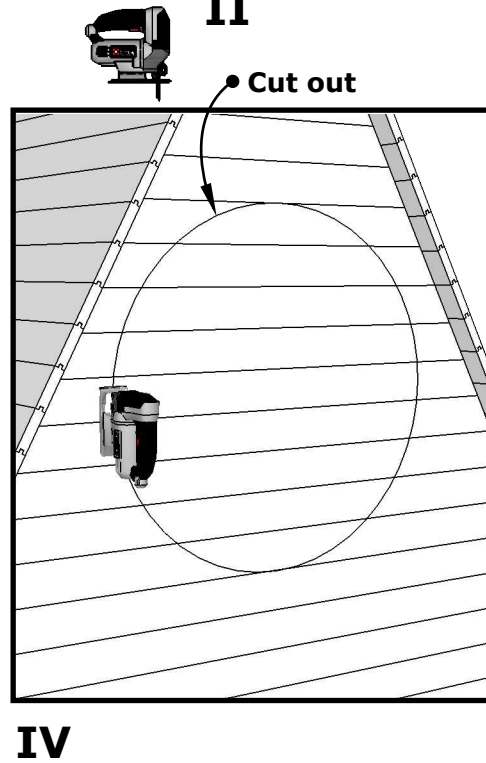
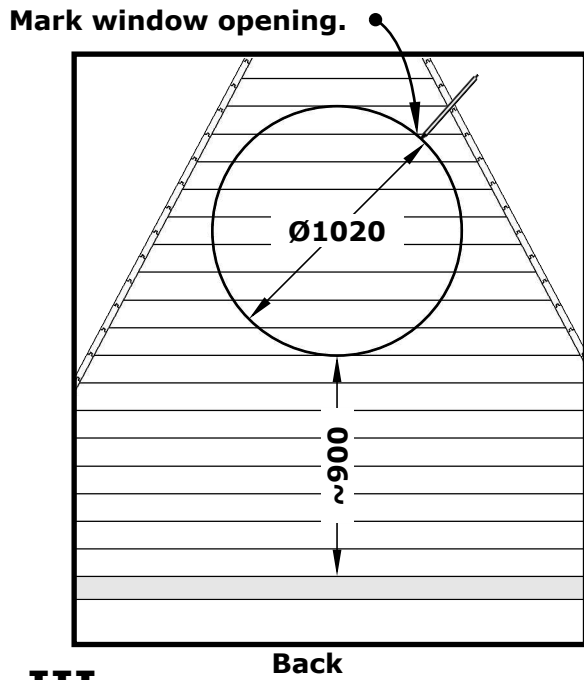
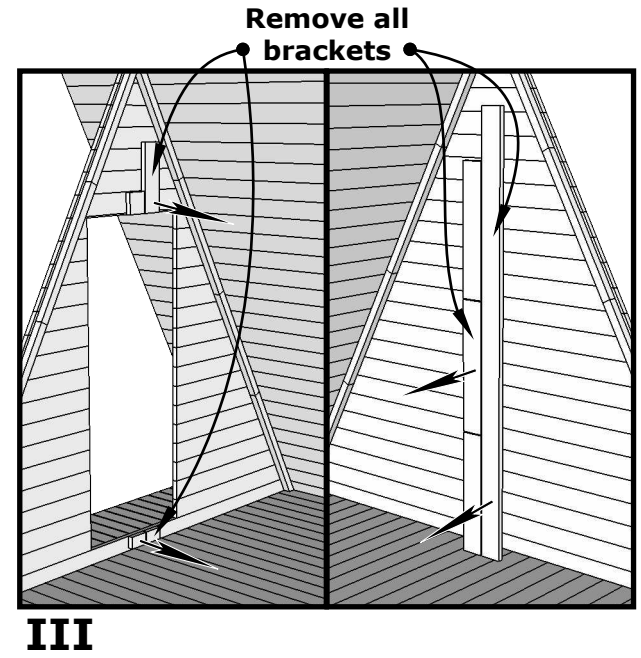
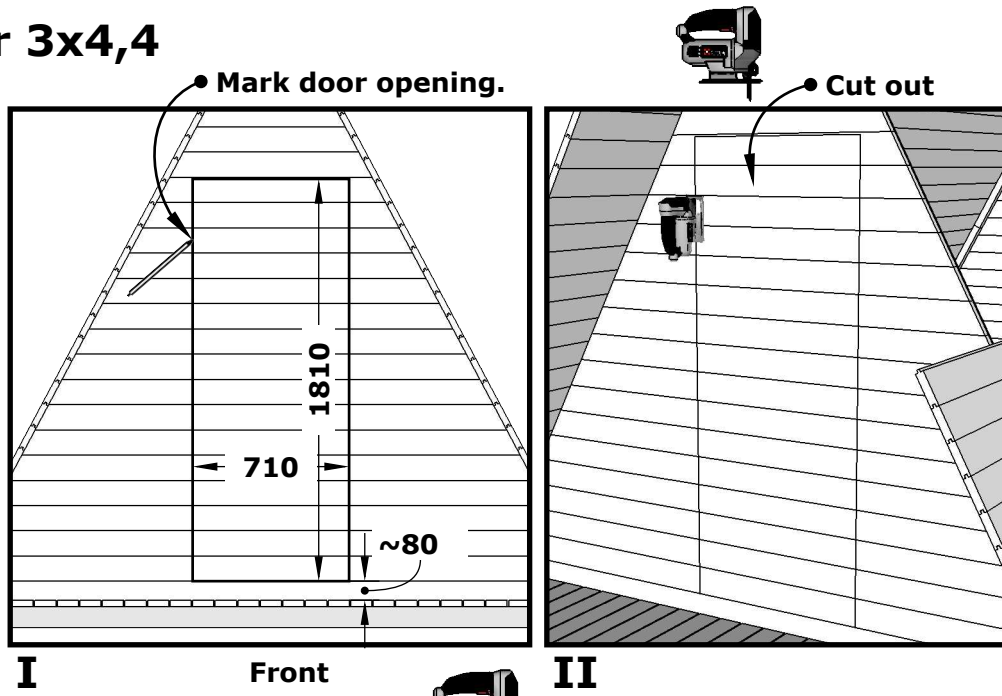
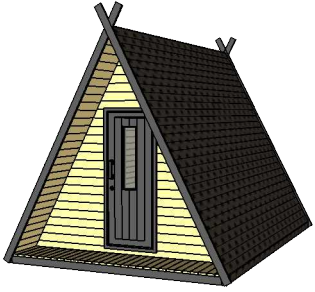


III

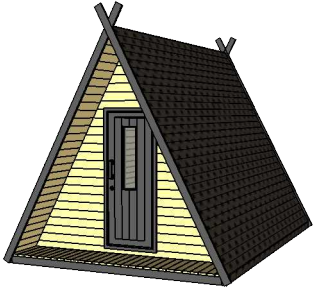
IV

V

POD triangular 3x4,4

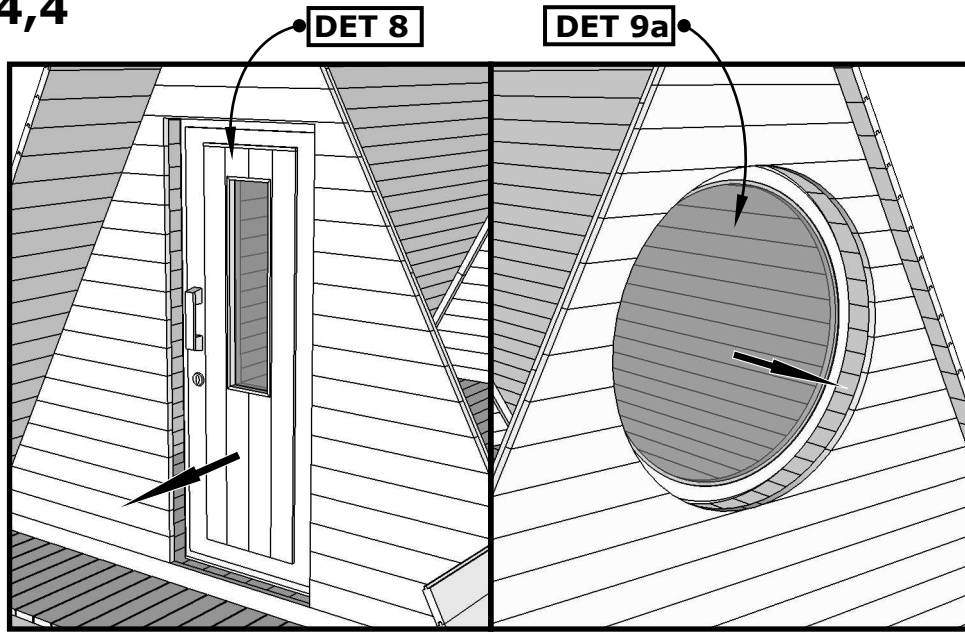


POD triangular 3x4,4

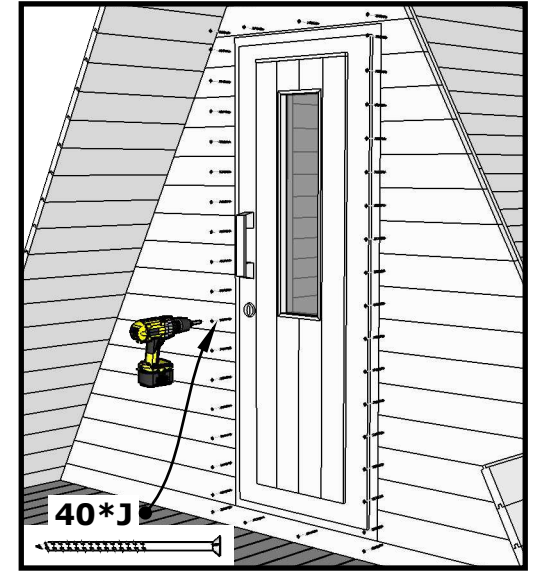


Use waterlevel for door and windows installation.

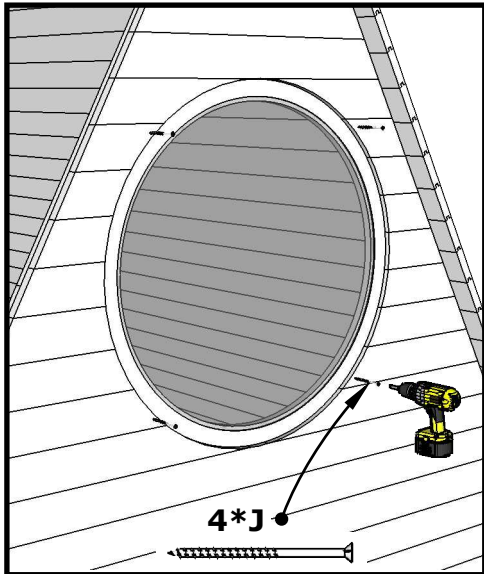
NB! Install door and windows from inside.



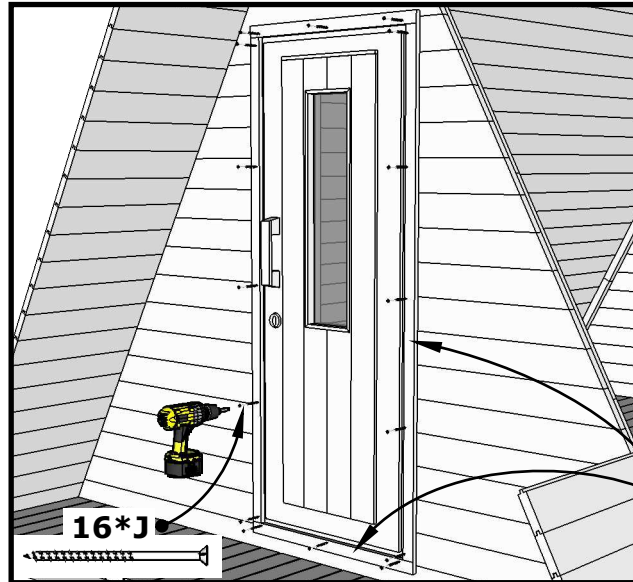
I



II Vertically fix screws in every board.

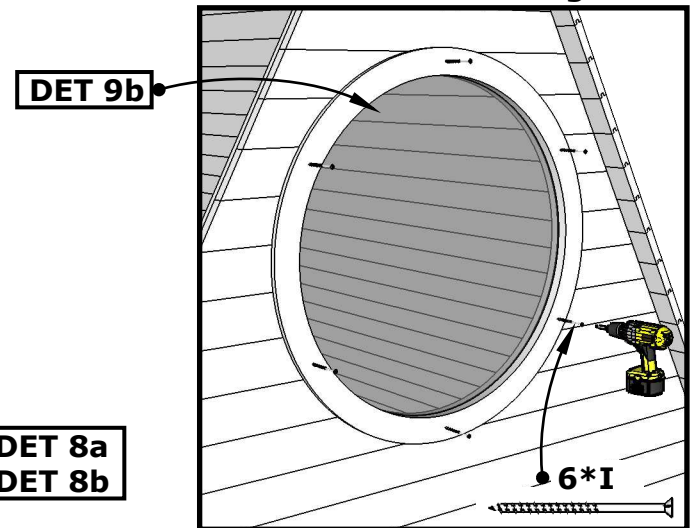


III



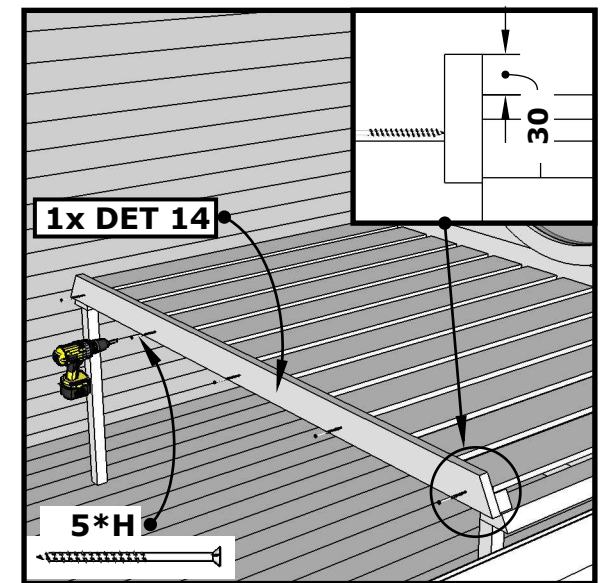
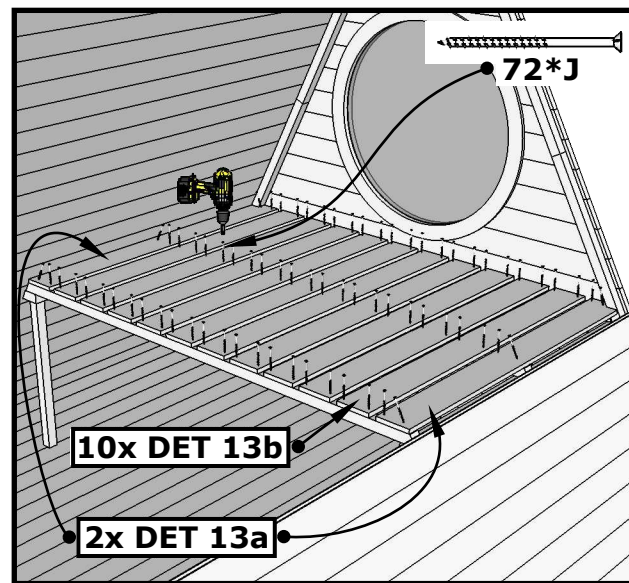
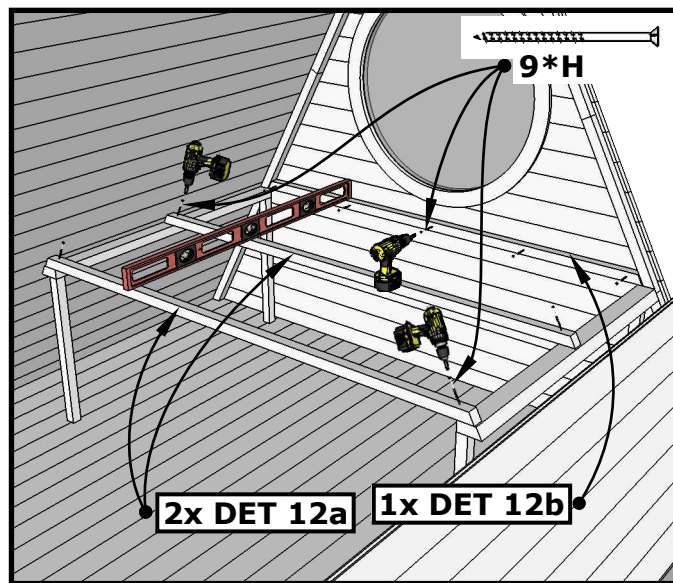
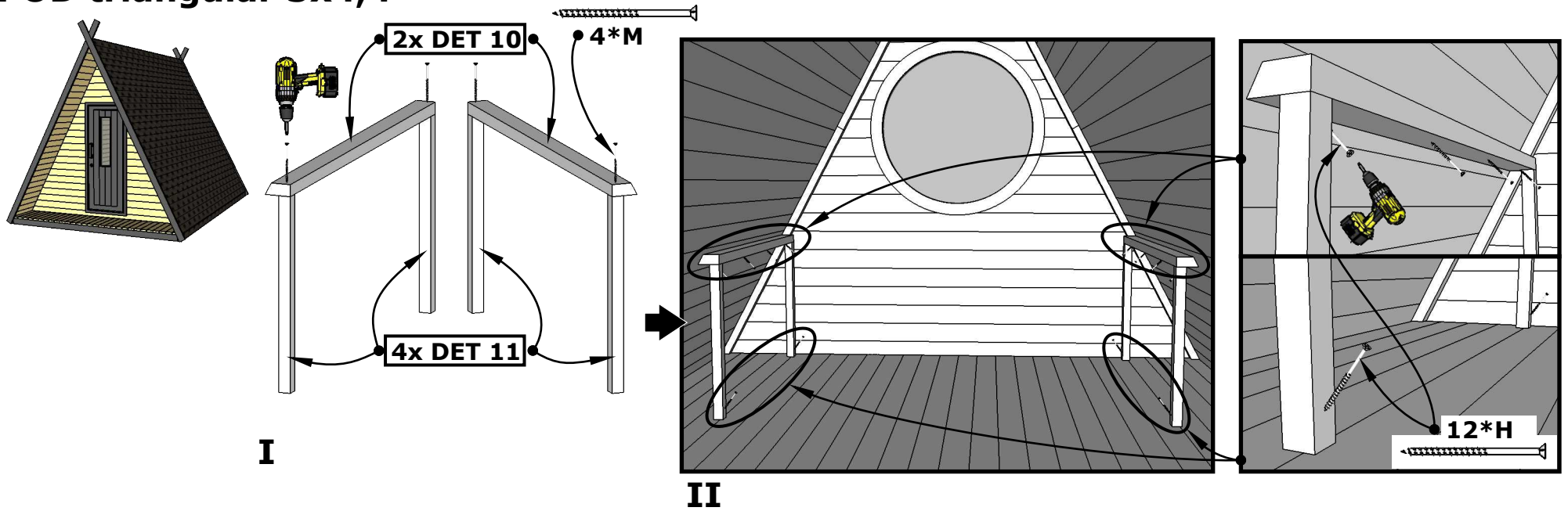
IV

Be careful- do not hit the glass!



V

POD triangular 3x4,4

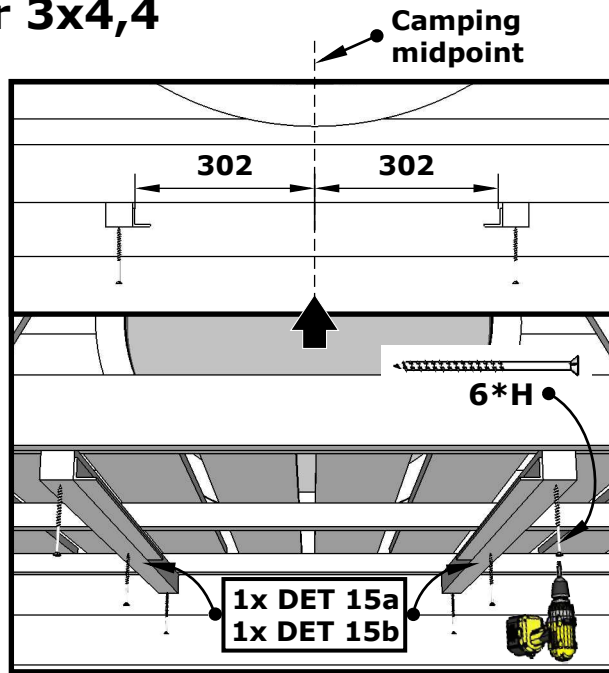
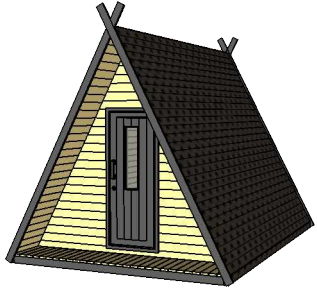


III

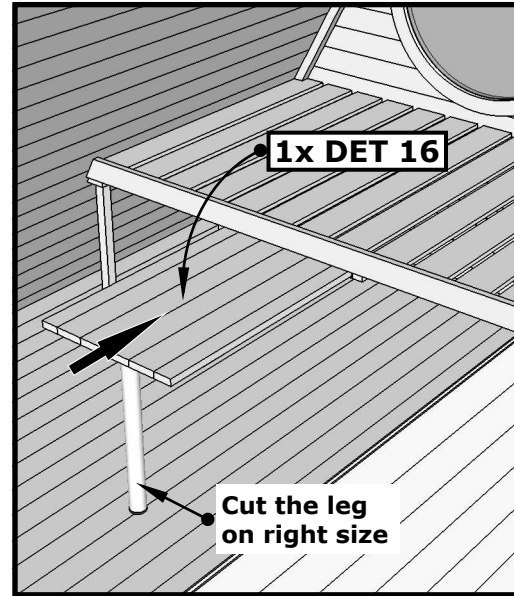
IV

V

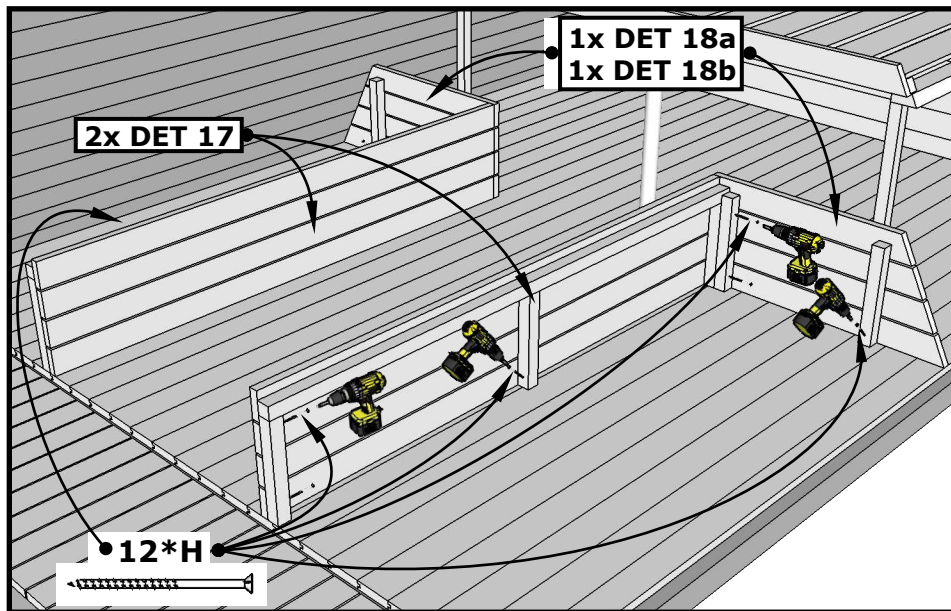
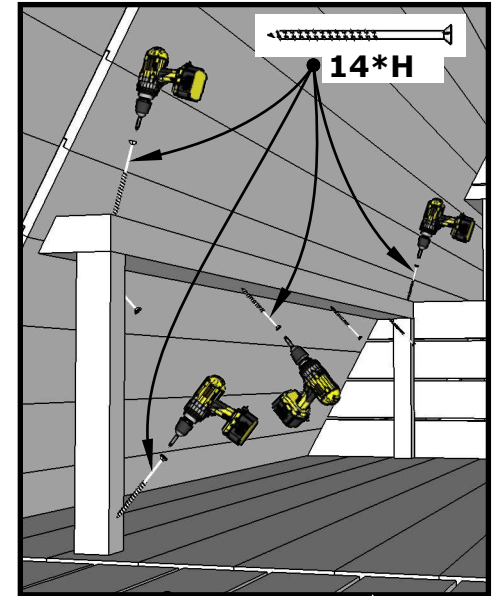
POD triangular 3x4,4



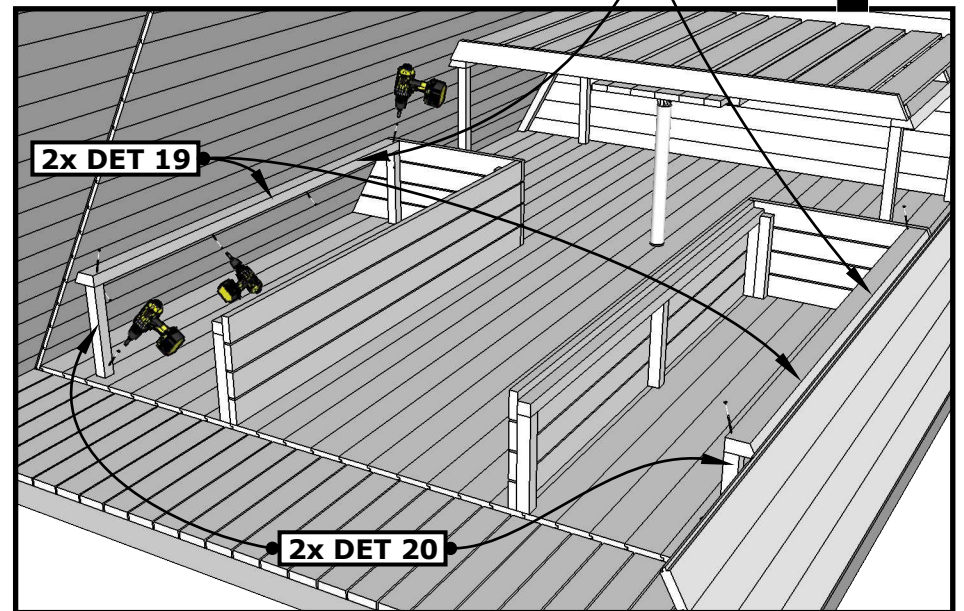
I



II

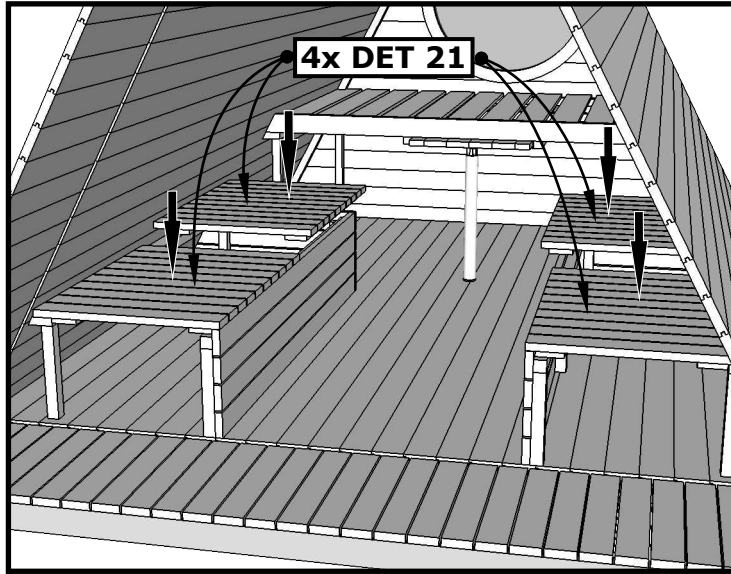
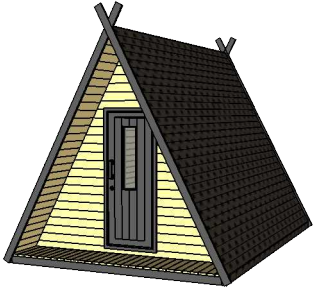


III

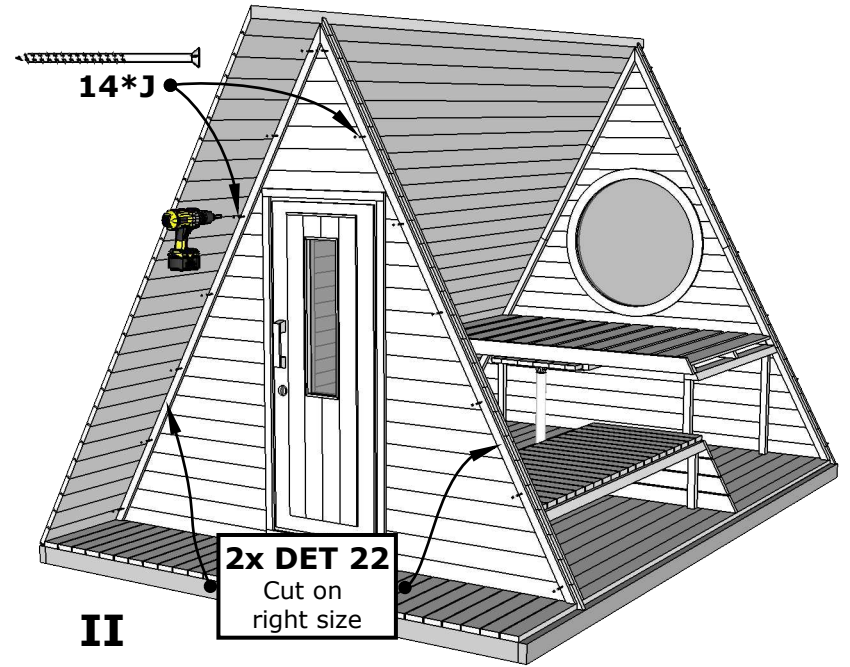


IV

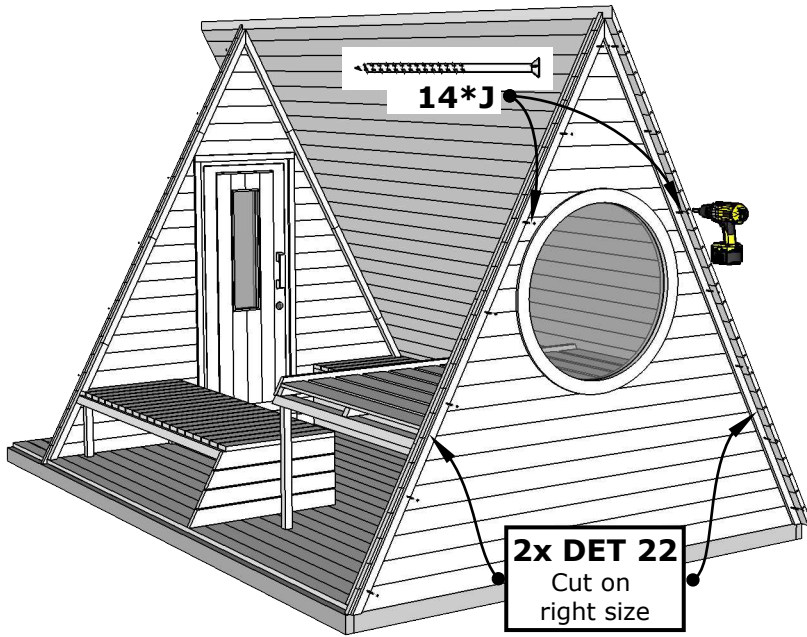
POD triangular 3x4,4



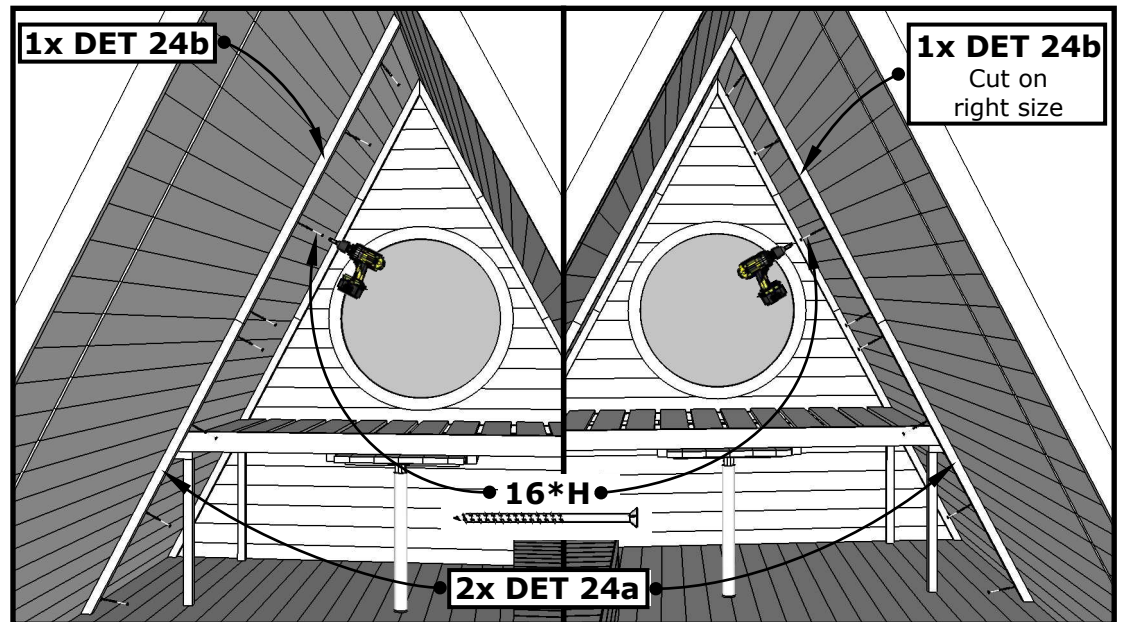
I



II

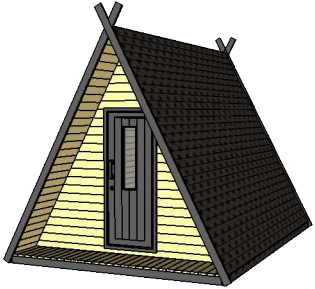


III

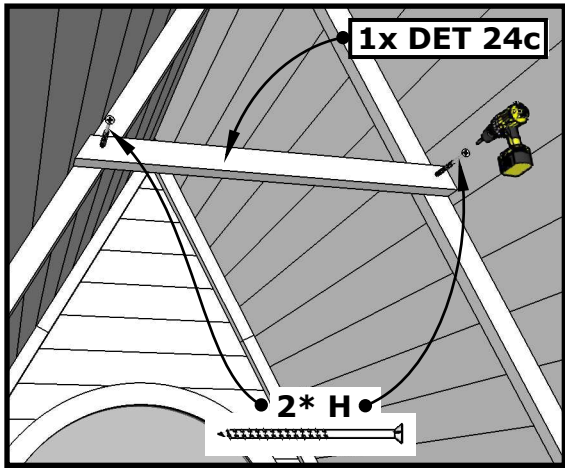


IV

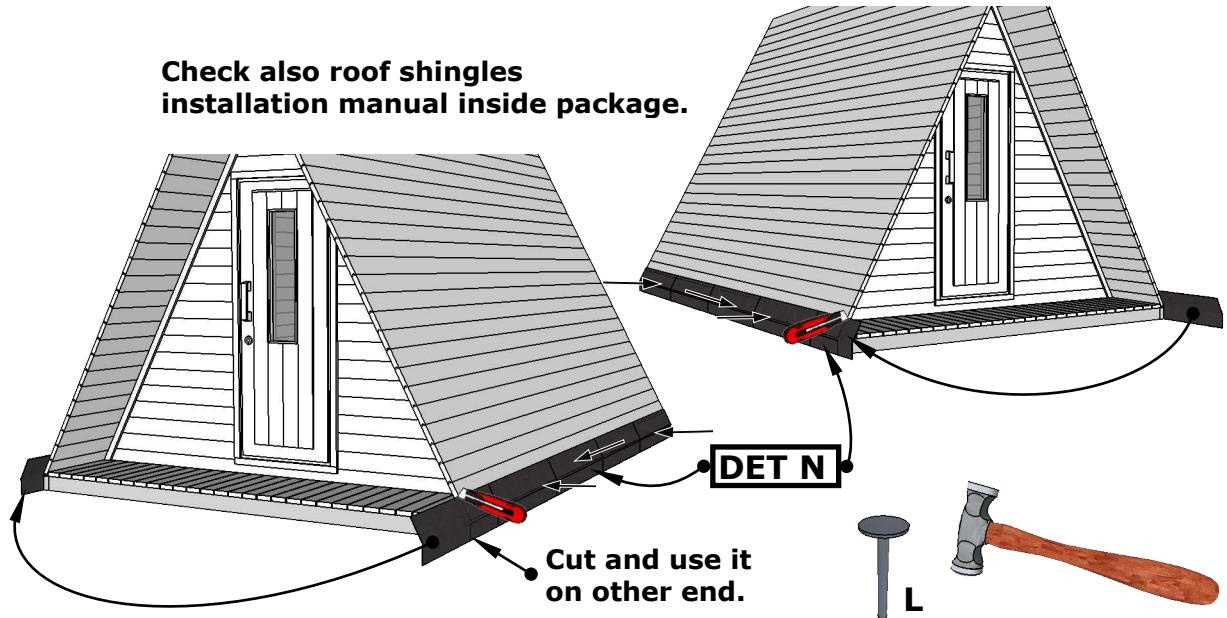
POD triangular 3x4,4



Check also roof shingles installation manual inside package.

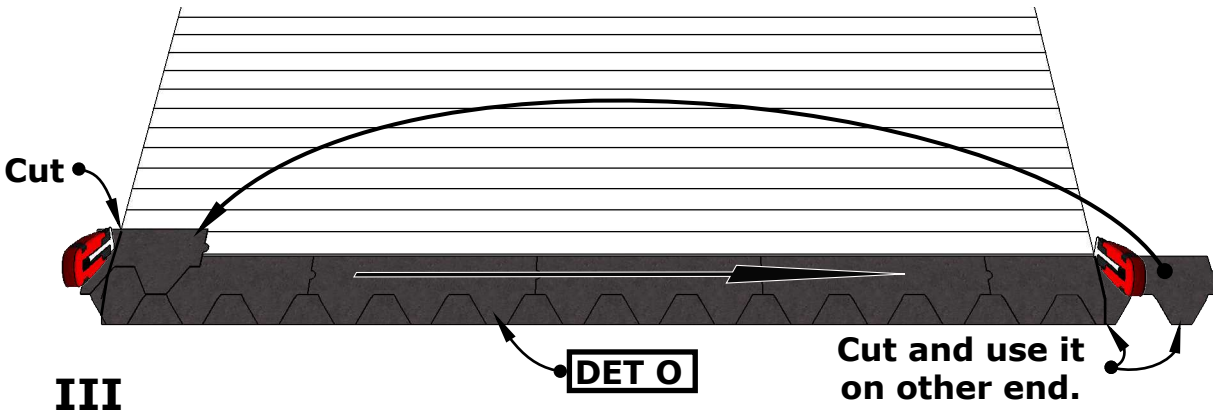


I

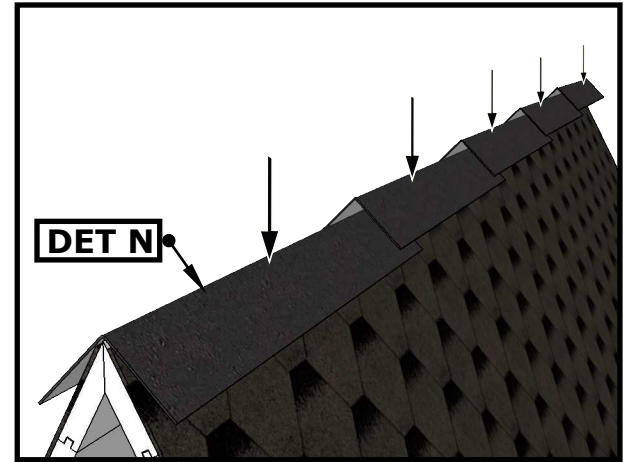


II

Check also roof shingles installation manual inside package.



III



IV

POD triangular 3x4,4

