
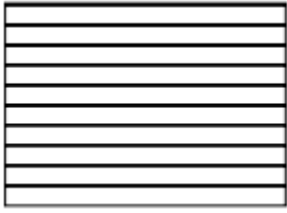
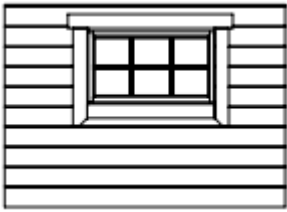
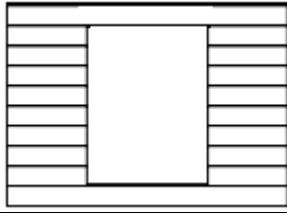





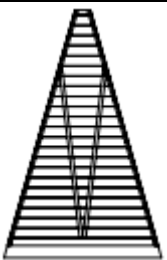
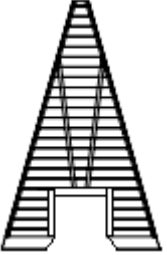


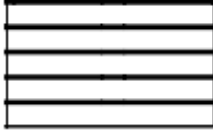



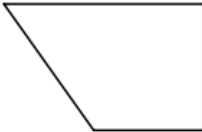

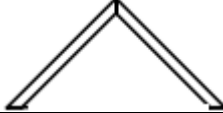








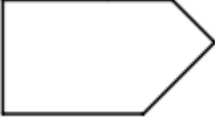
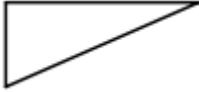

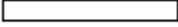
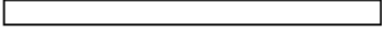







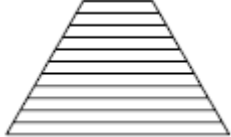



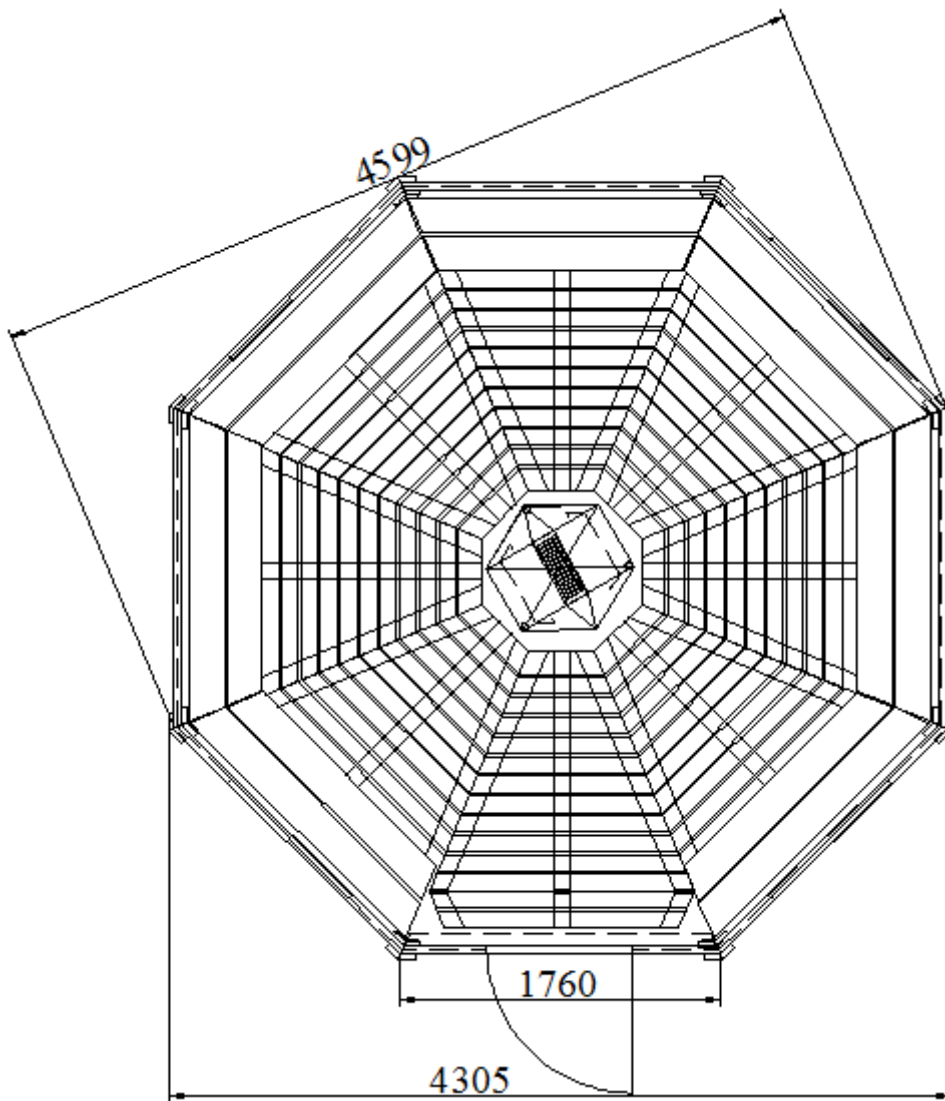
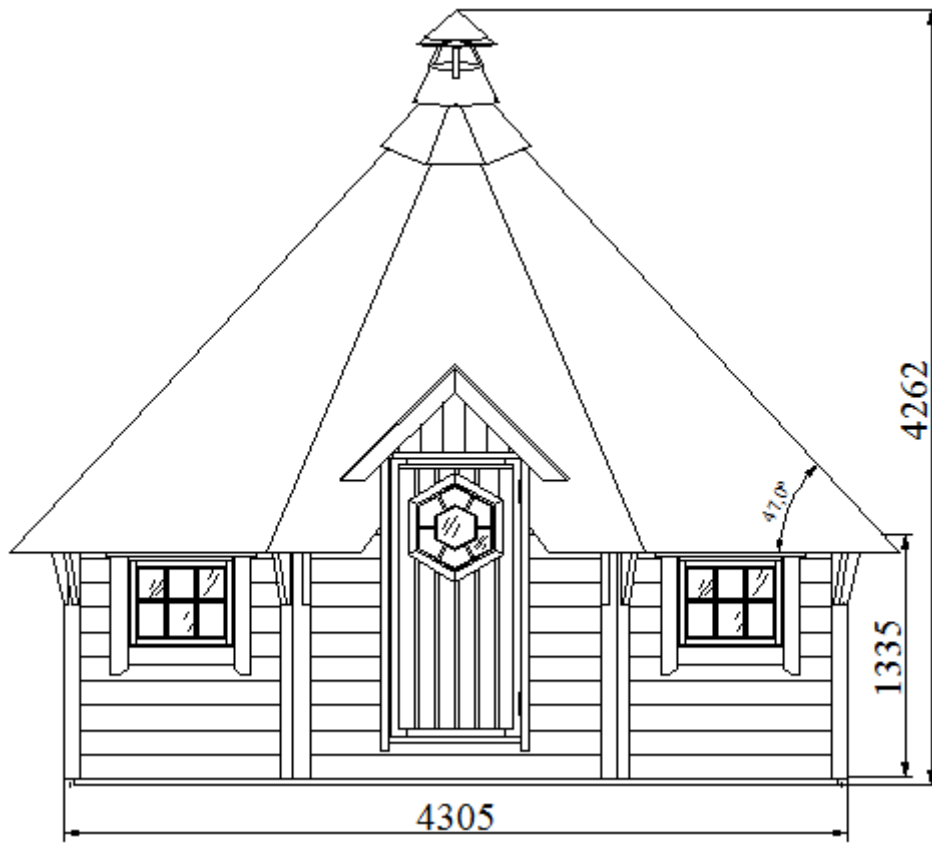
Installation Instructions Kota 14,9

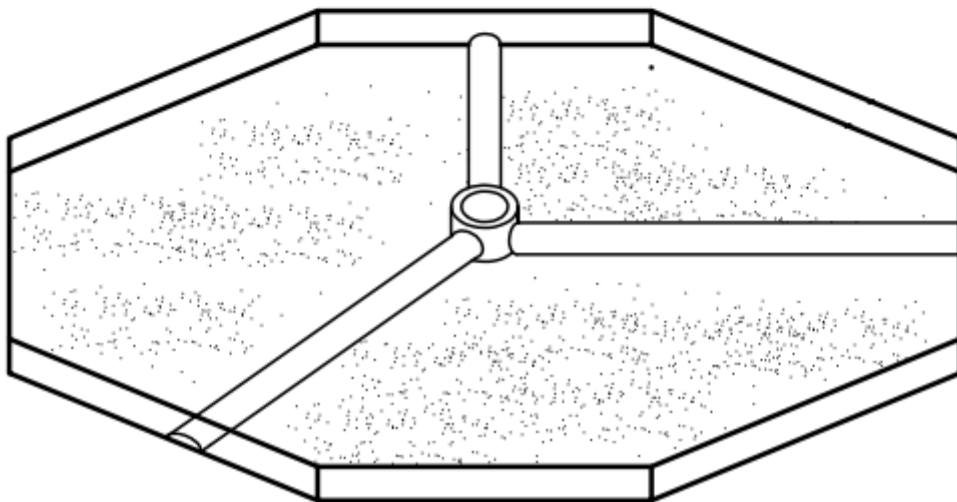
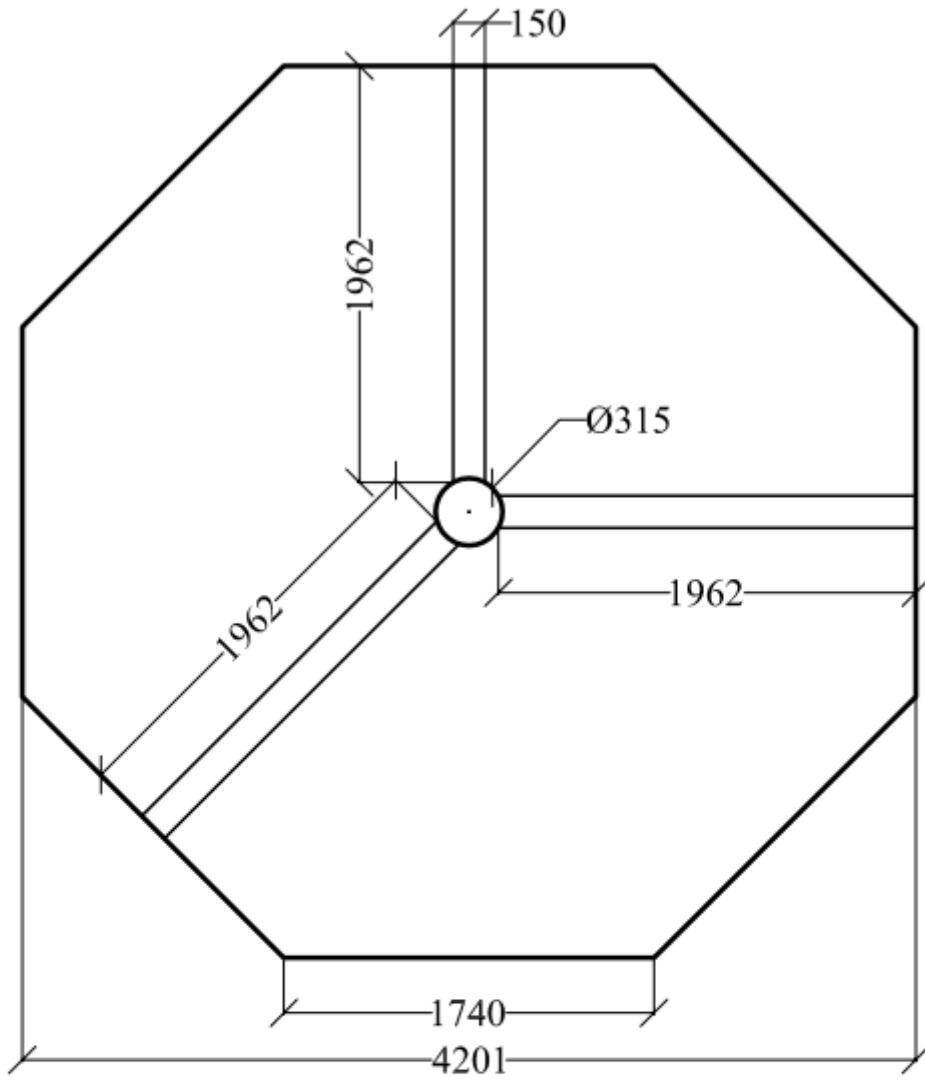
Verification number

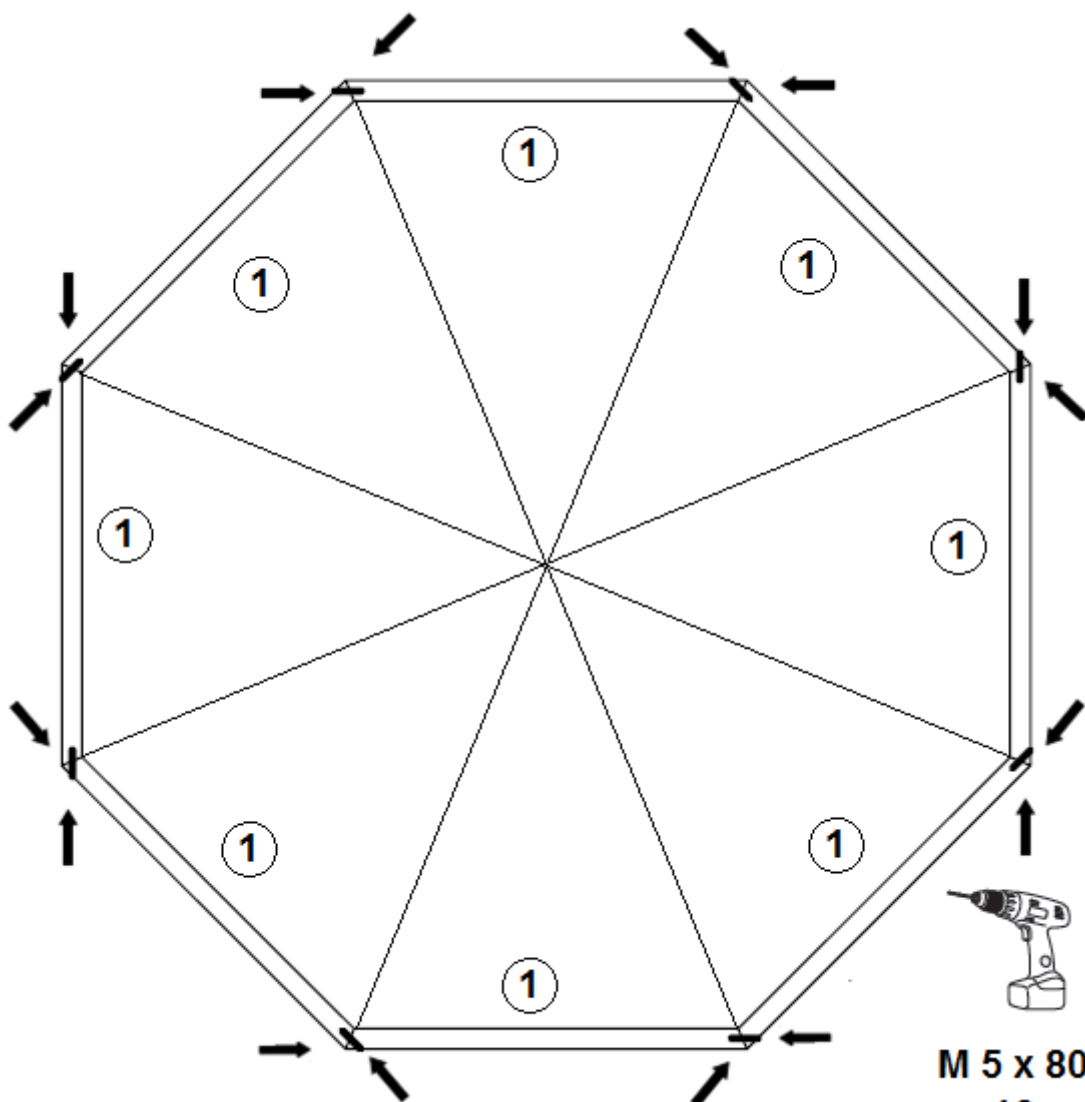
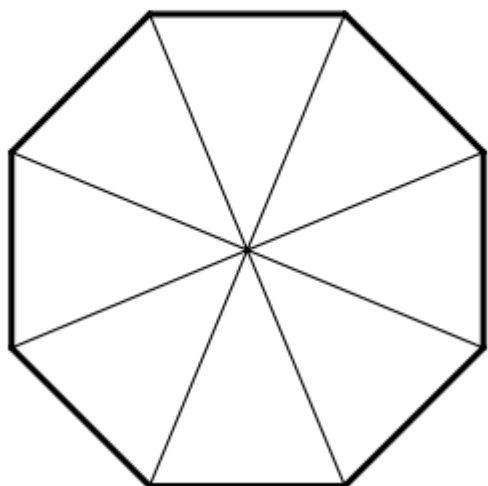
Nr	Dimensions	Quantity	Detail
1	Wall bottom 1740x94x44mm	8	
2	The wall 1760x1346mm	3	
3	The wall with window 1760x1346mm	4	
4	The wall with door 1760x1346mm	1	
5	Outside corner 1340mm	8	
6	Roof support 338mm	16	
7	Roof support belt 1880x193mm	7	
8	Roof support belt 625x193mm	2	
9	Shelf 350mm	8	
10	Roof detail 2016x3241mm	7	
11	Roof detail with door 2016x3241mm	1	

12	Door with jamb 791x1730mm	1	
13	Door side slat 1760mm	2	
14	Roof bottom 850x539mm	1	
15	Covered triangle 846x470mm	1	
16	Uncovered triangle 820x454mm	1	
17	Wind veneer 570x33mm	2	
18	Small roof detail, left 1100x880x465mm	1	
19	Small roof detail, right 1100x880x465mm	1	
20	Support triangle 1061x530mm	1	
21	Lower edge slat 440x70mm	2	
22	Front covering slat 850x94mm	2	
23	Console	14	
24	Sitting board 1680mm	7	
25	Sitting board 1508mm	7	
26	Sitting board 1723mm	3	
27	Widening support leg	6	
28	Roof inner slat 3100mm	8	

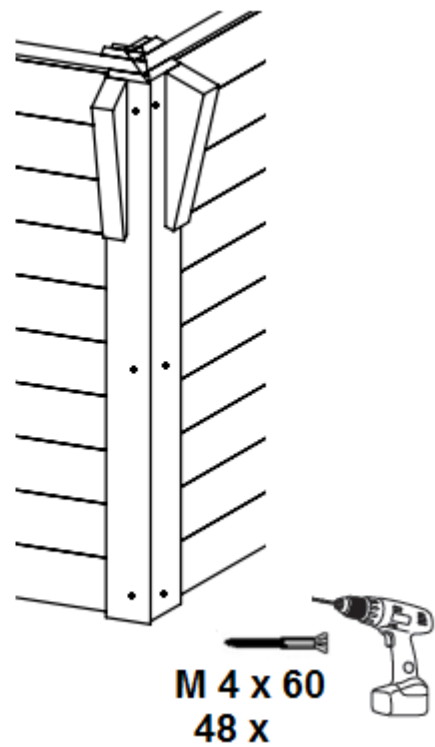
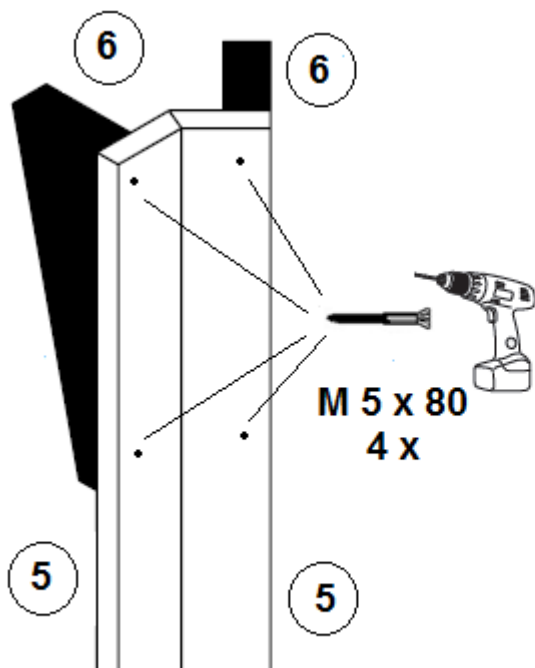
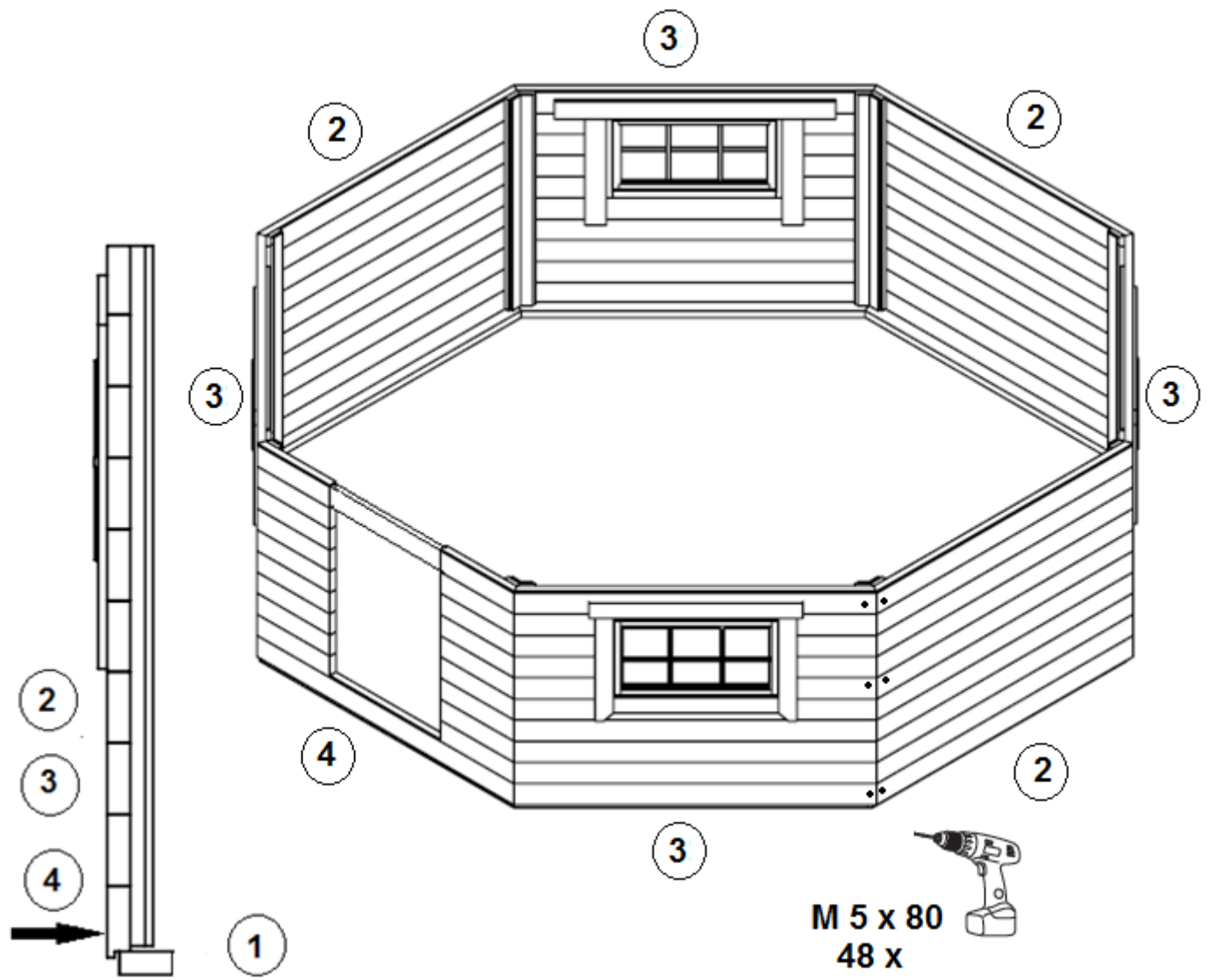
29	Filling board for the roof, long	2	
30	Filling board for the roof, short	2	
31	Door slat 1470x70mm	2	
32	Door slat 300x70mm	2	
33	Door slat 1100x70mm	1	
34	Door slat 825x70mm	1	
35	Connection cover strip 1005x250 mm	50	
36	Door side cover strip	2+2	
37	Covered pipe detail 840x295mm	1	
38	Metal hut	1	
39	Roof inner collar	1	
40	Metal top	1	
41	Floor detail	8	
42	Extra floor detail	1	

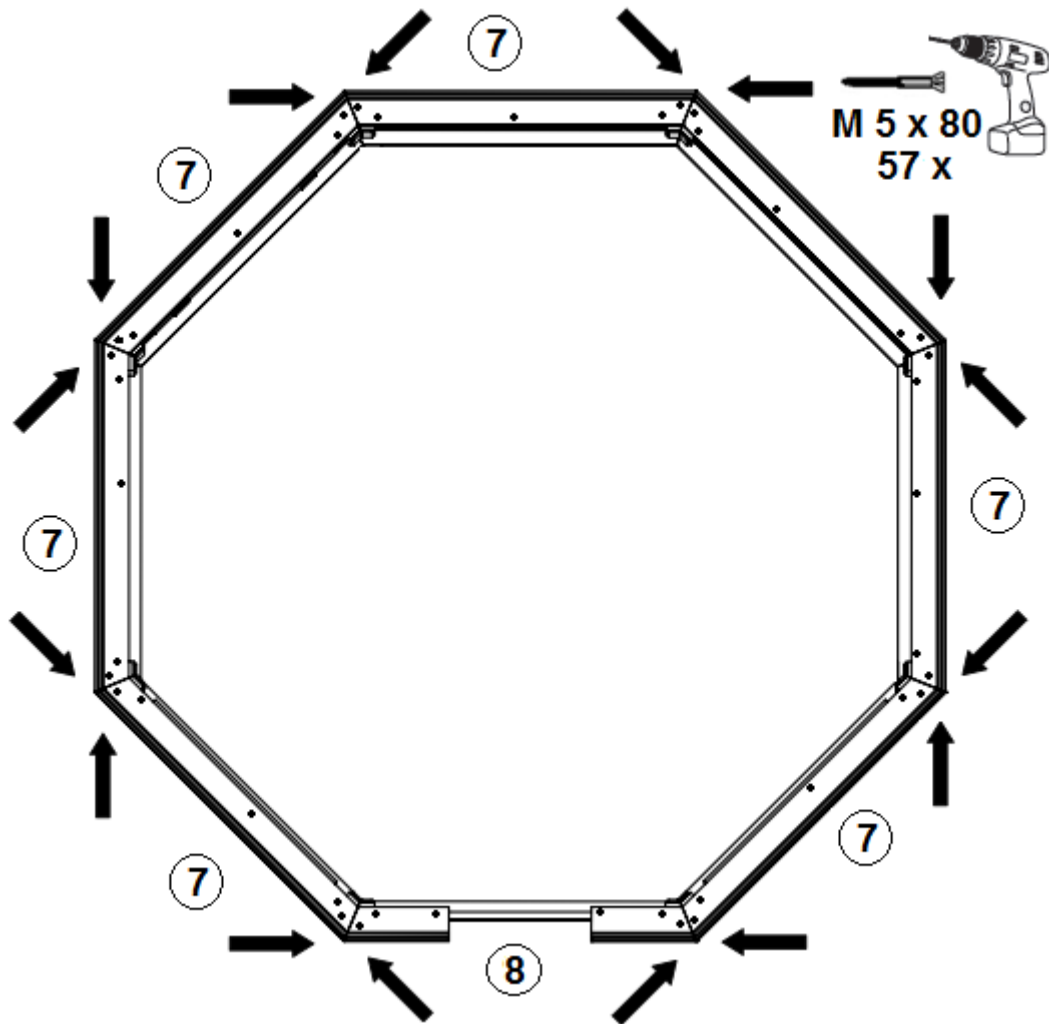


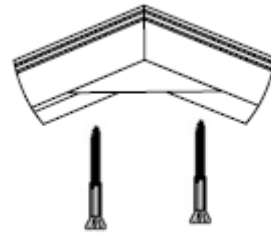




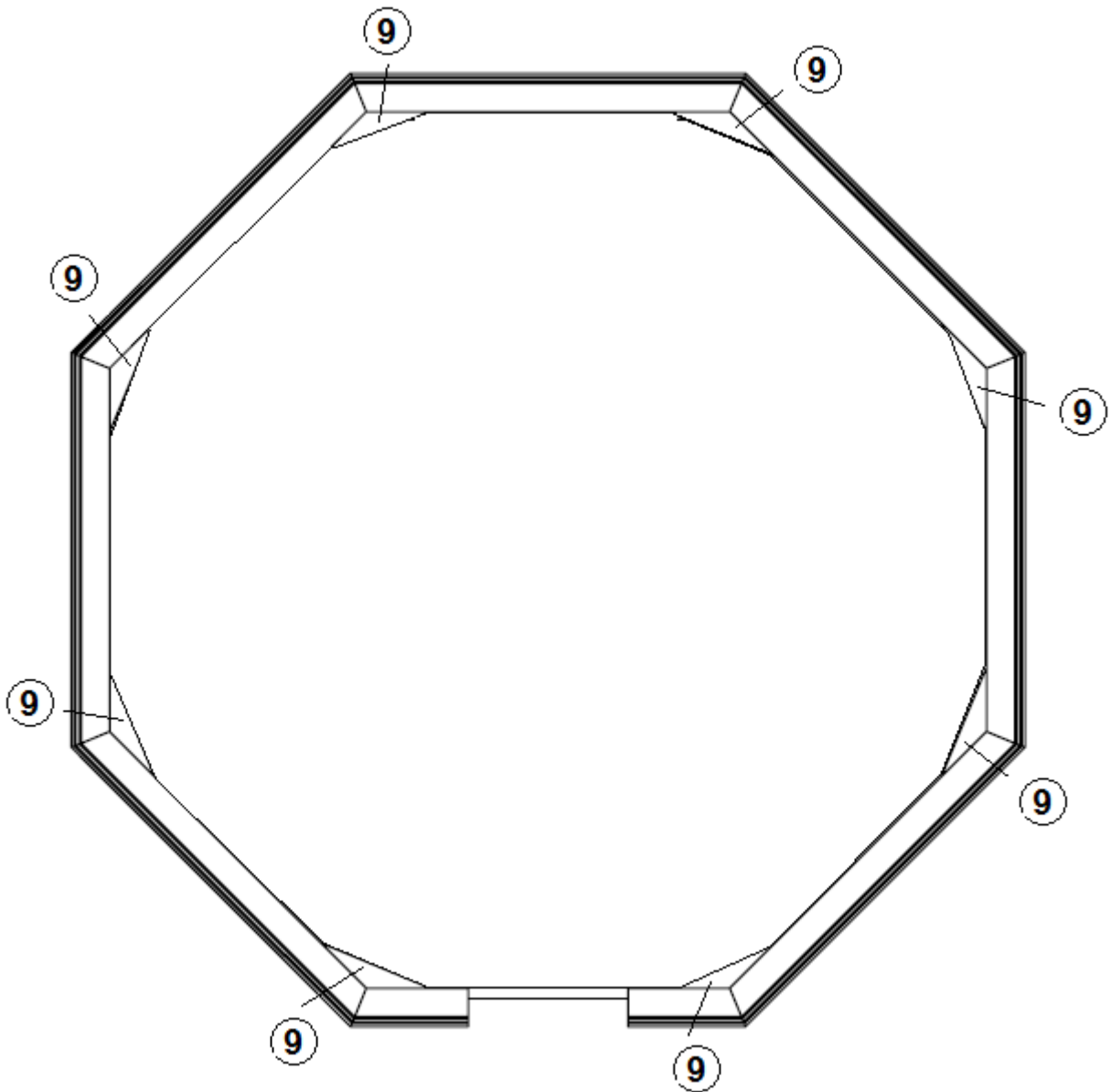
M 5 x 80
16 x

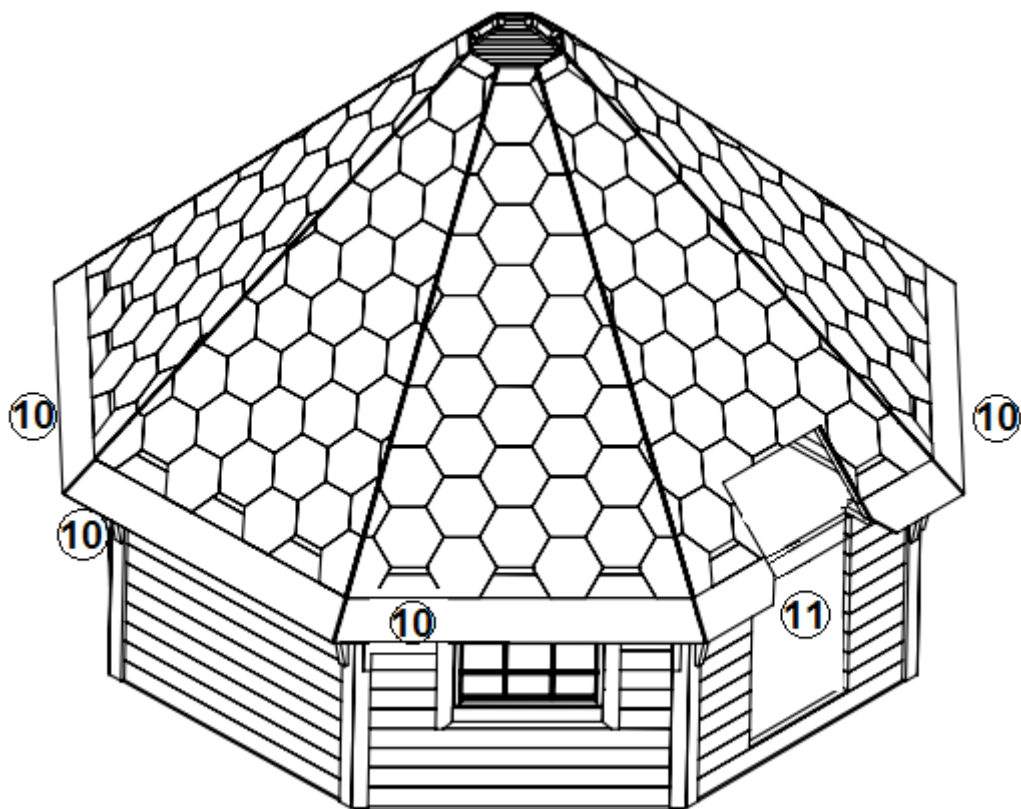
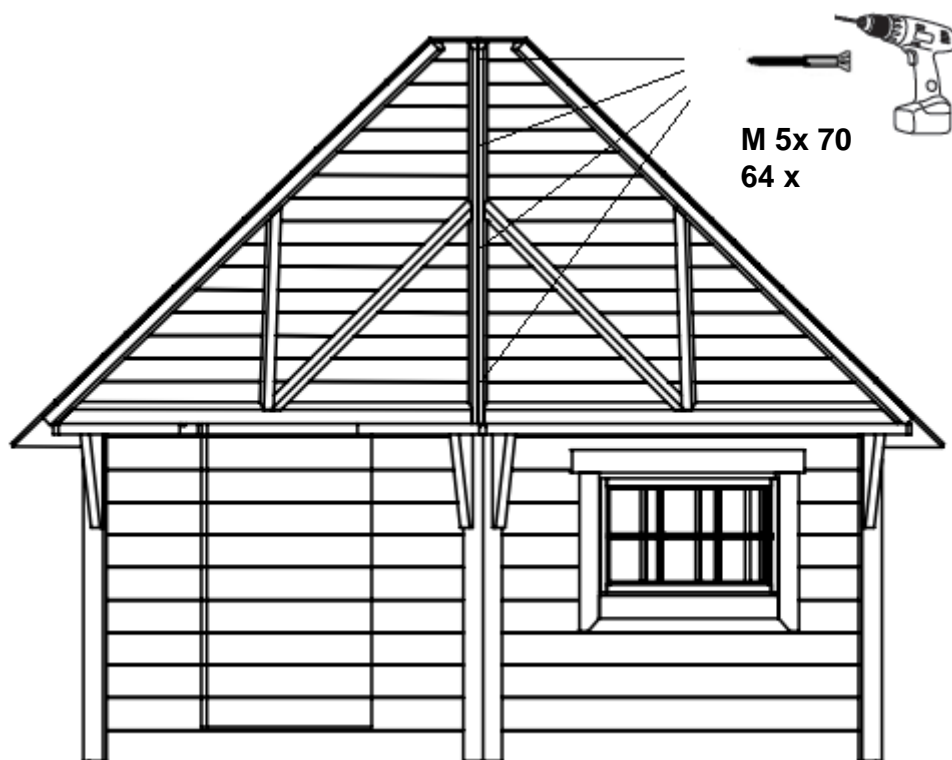


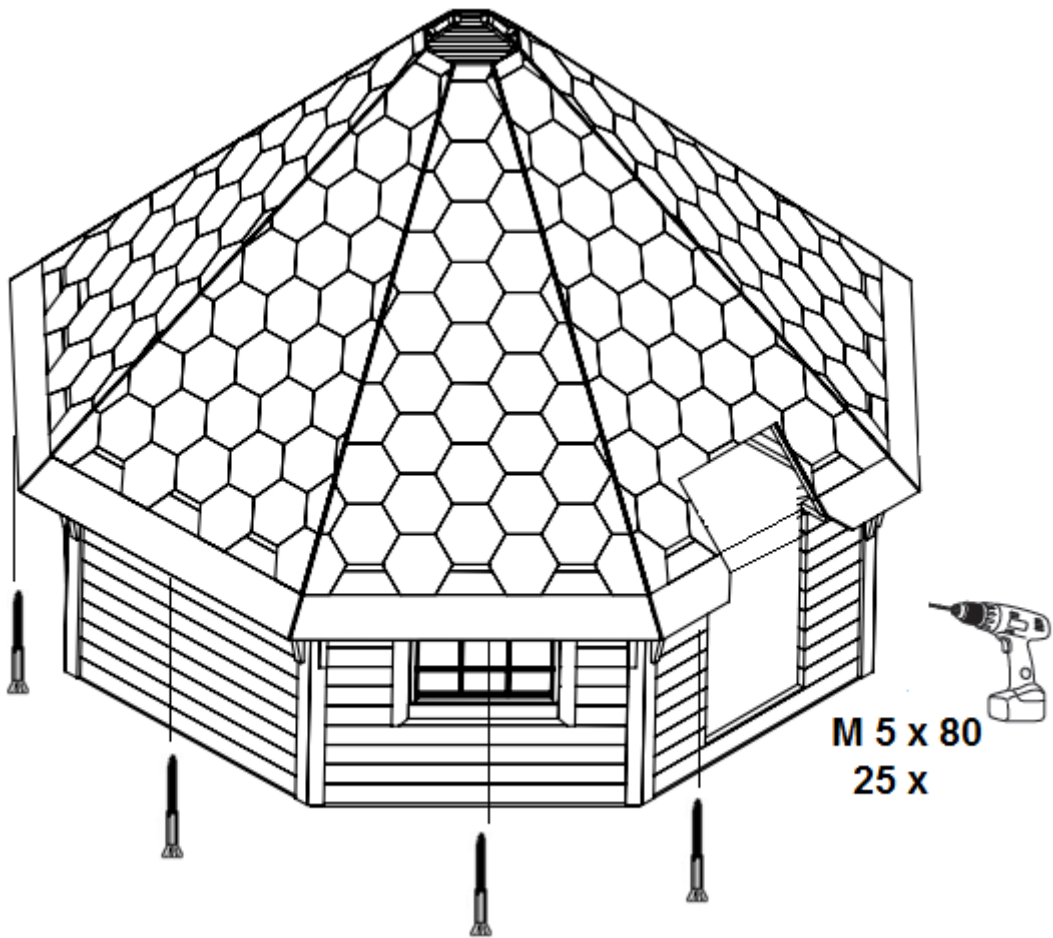
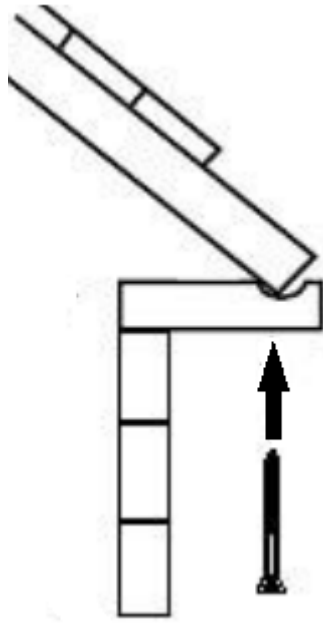




M 5 x 80
16 x



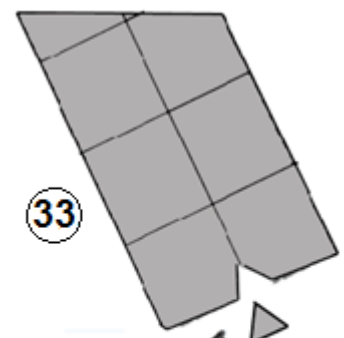
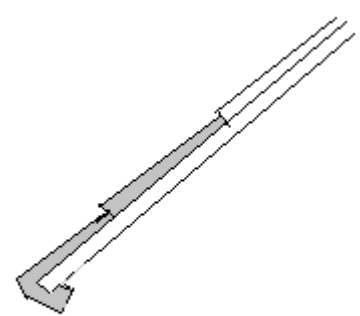
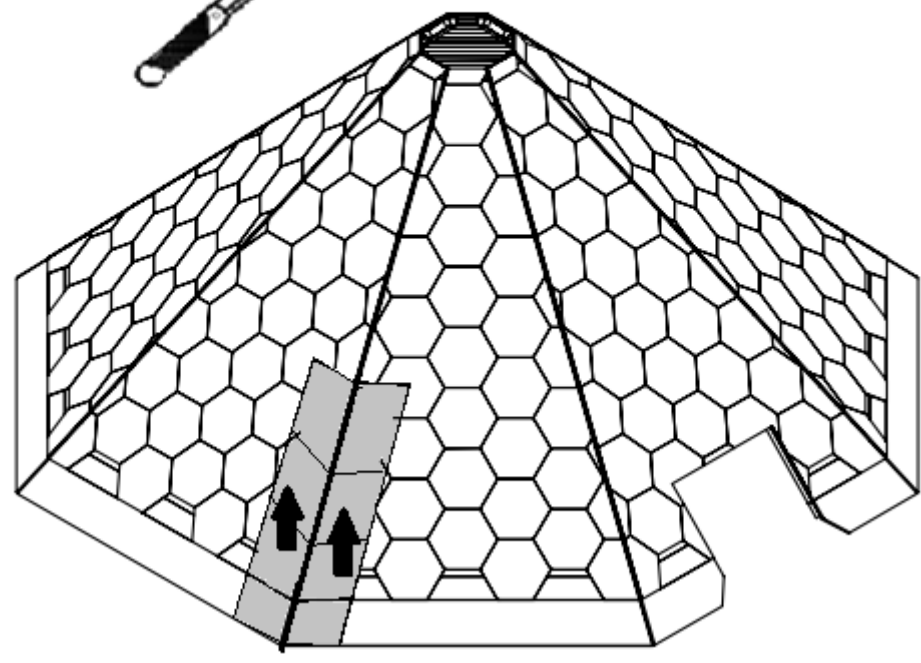




M 5 x 80
25 x

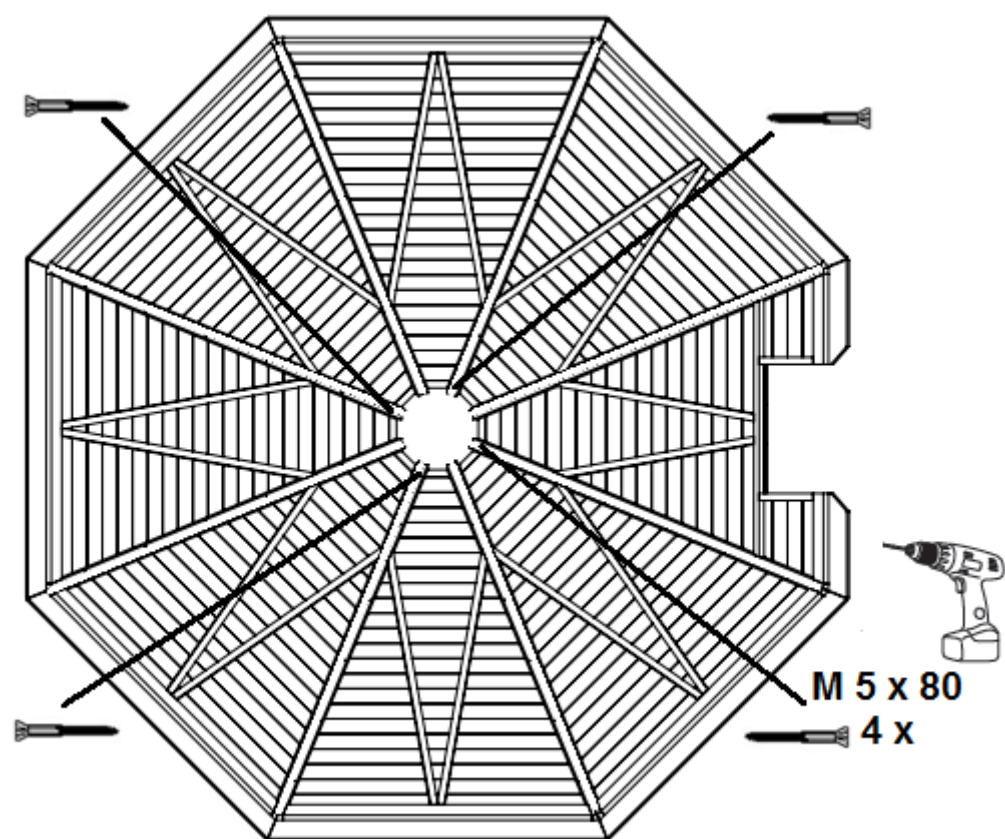
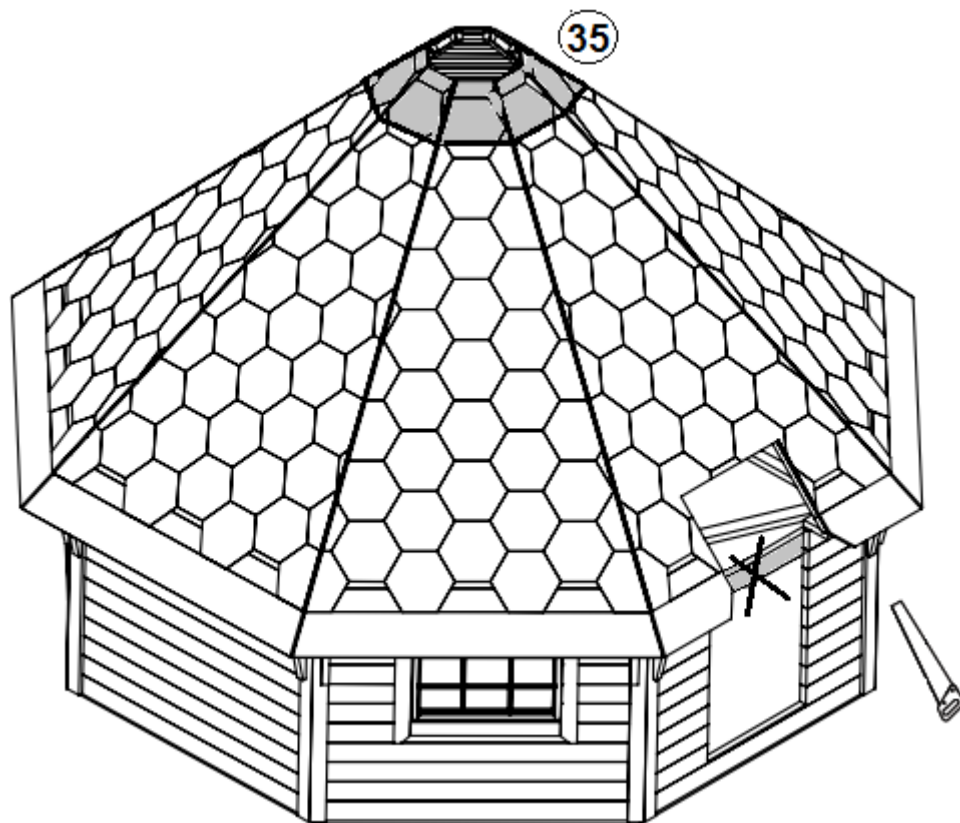


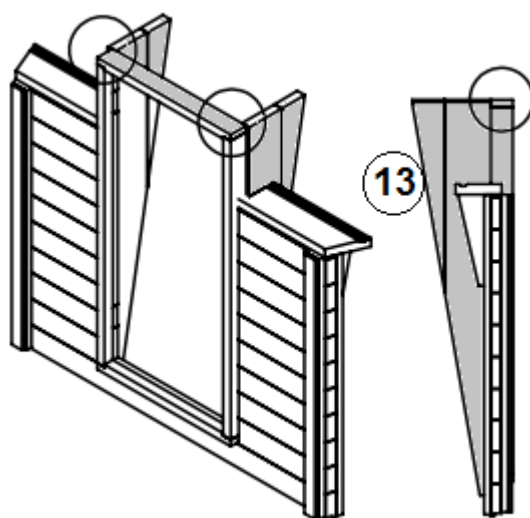
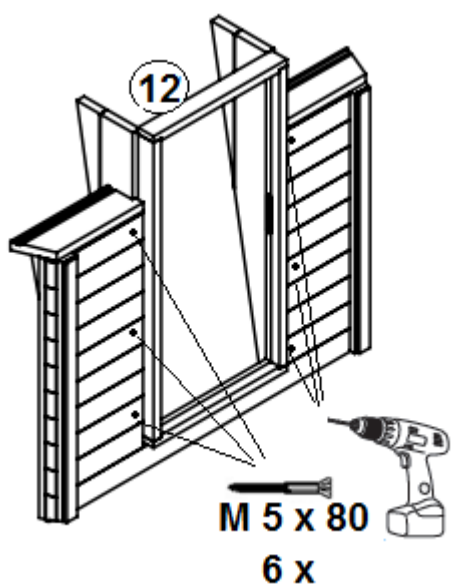
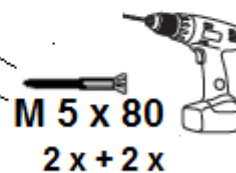
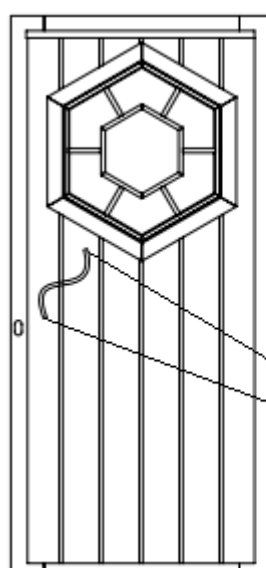
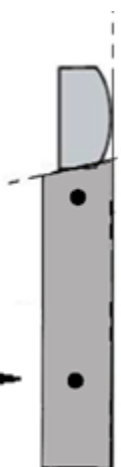
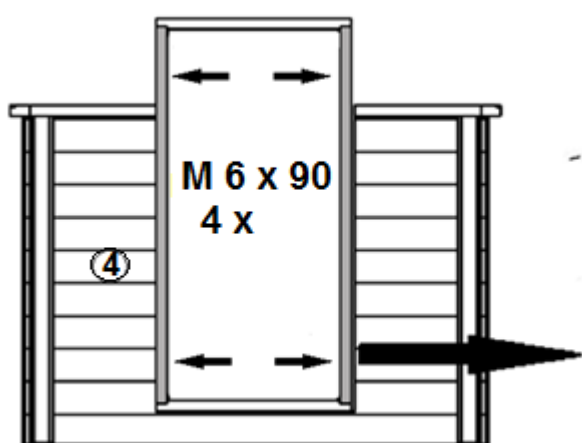
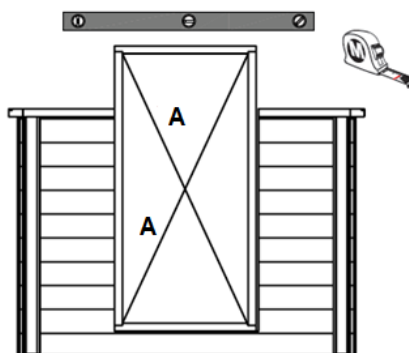
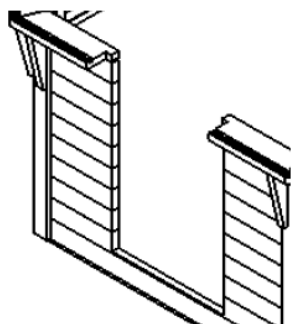
33 x 25

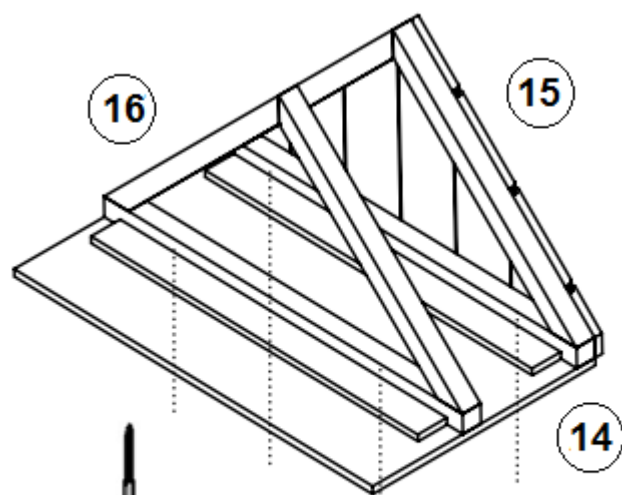
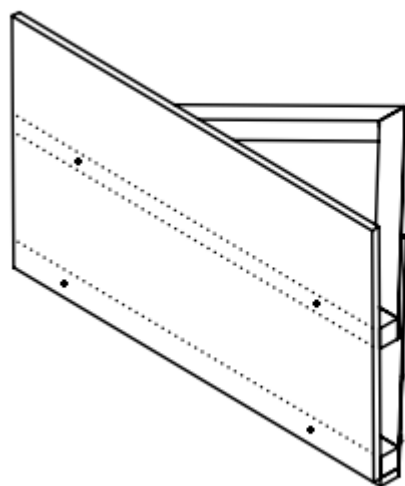


33

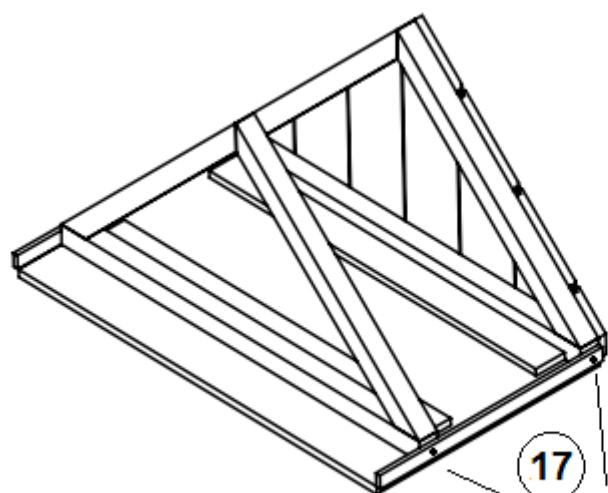




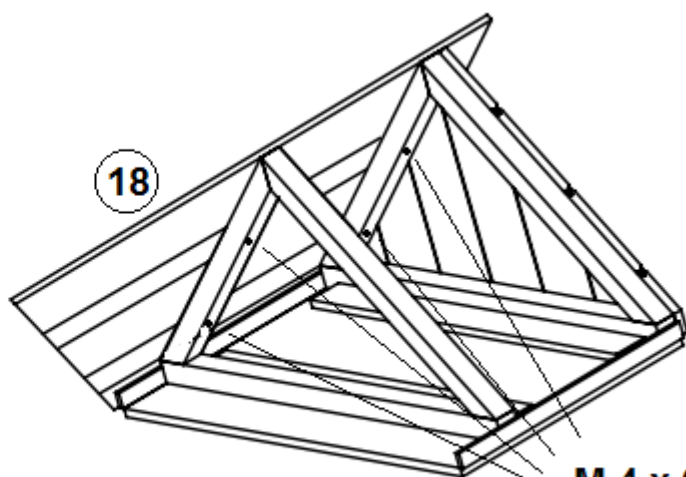




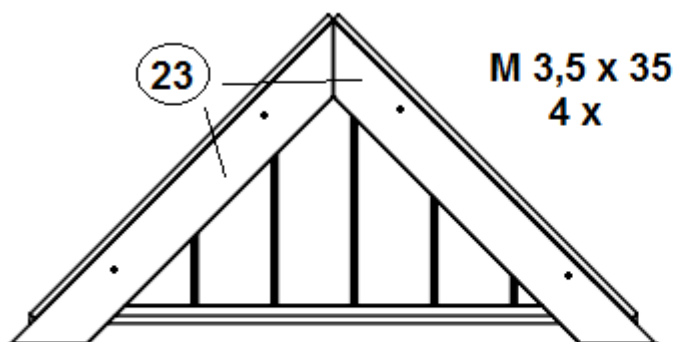
M 4 x 60
6 x



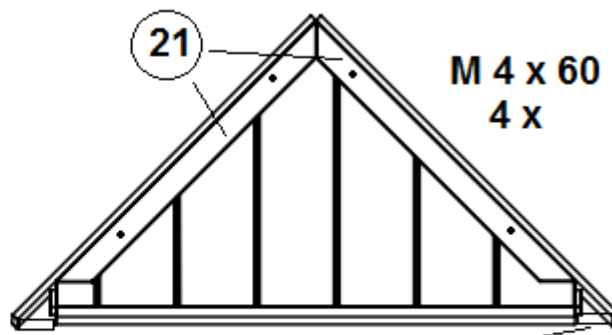
M 3,5 x 35
4 x



M 4 x 60
4 x + 4 x

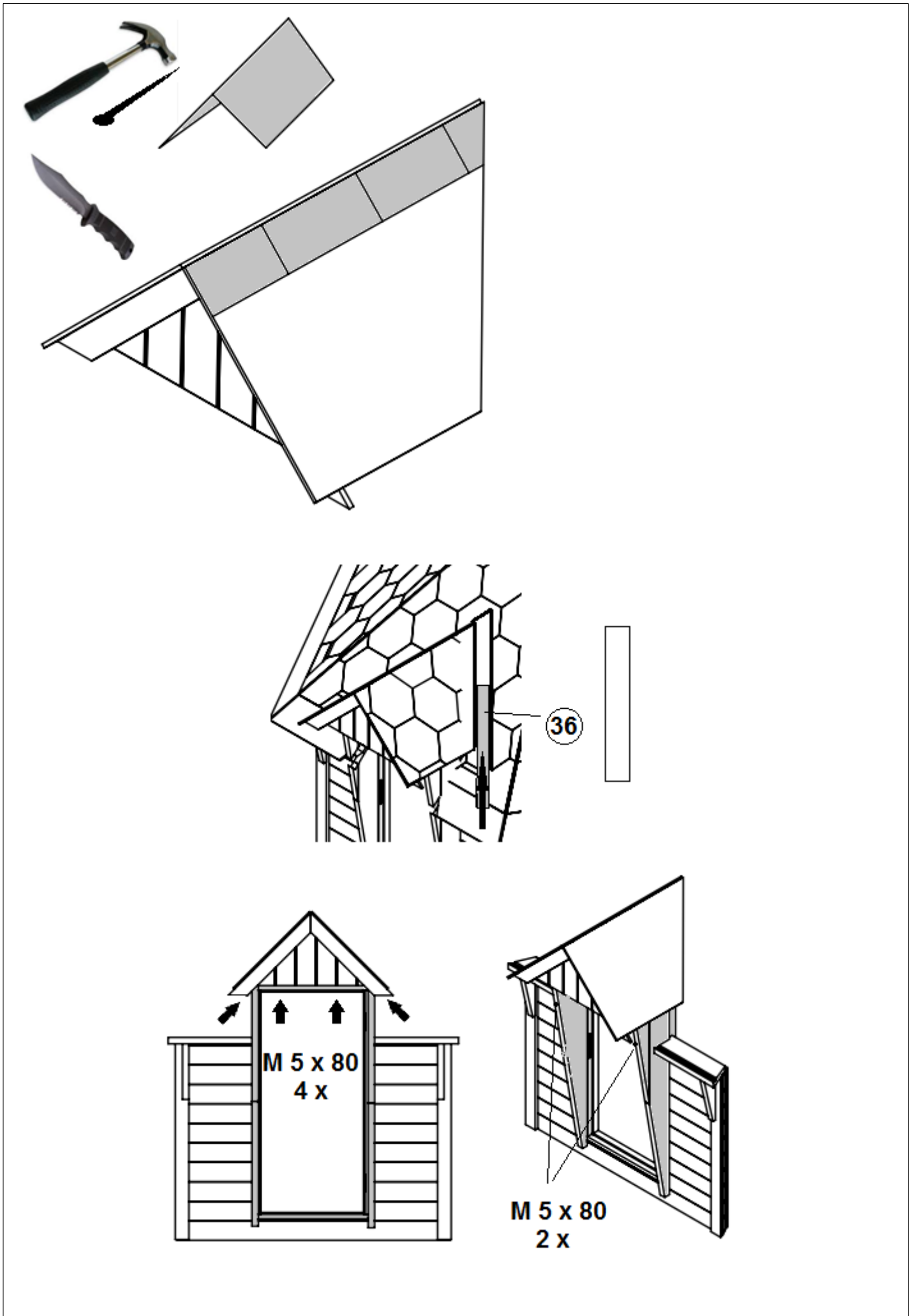


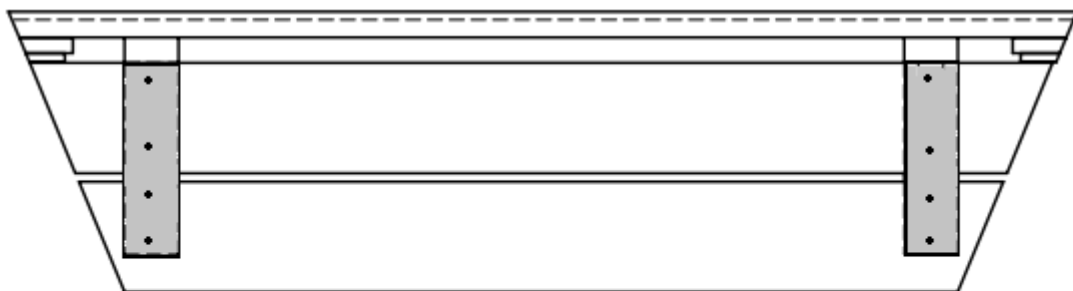
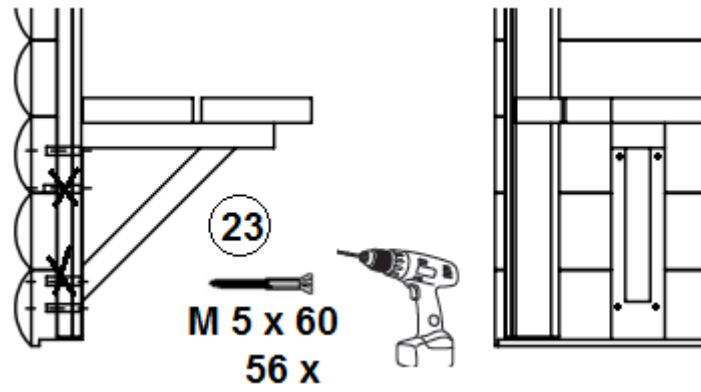
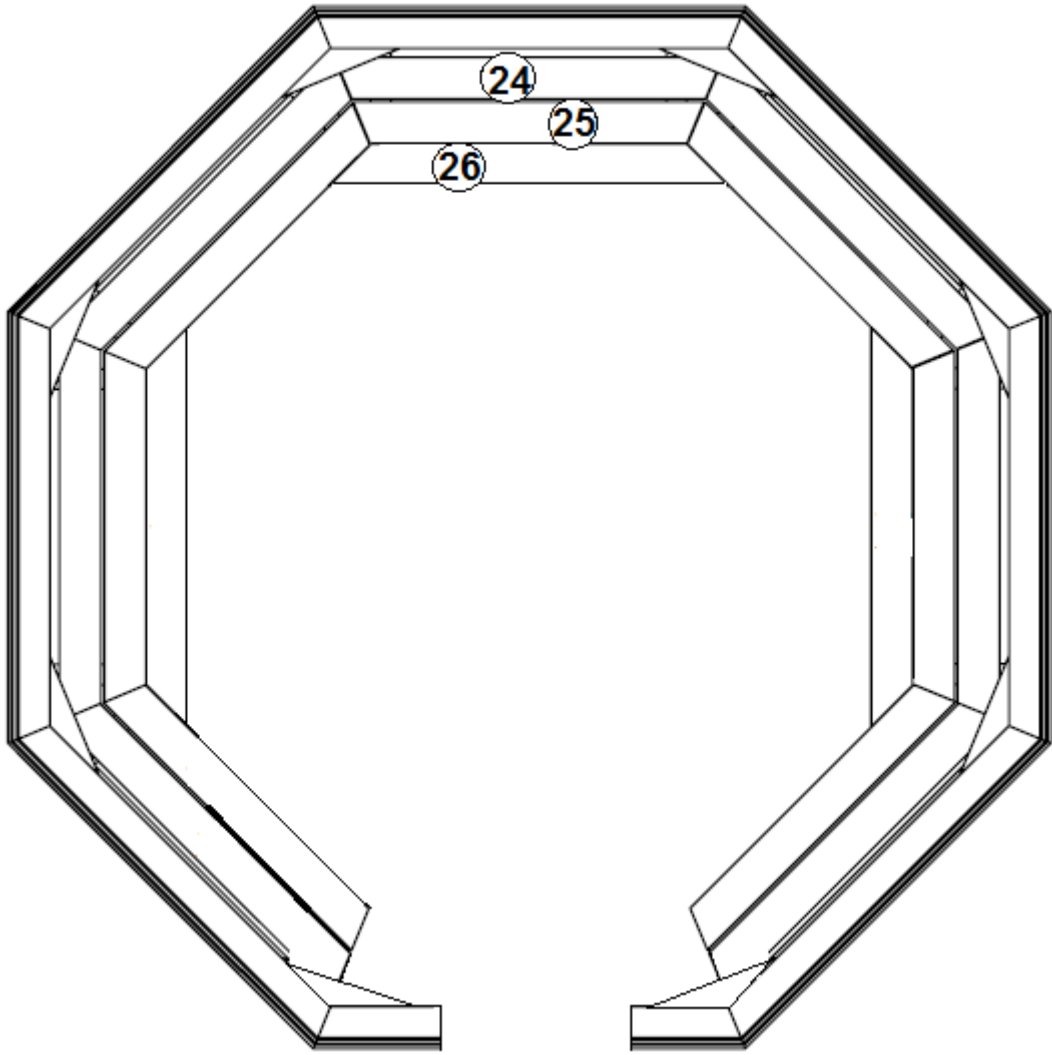
M 3,5 x 35
4 x

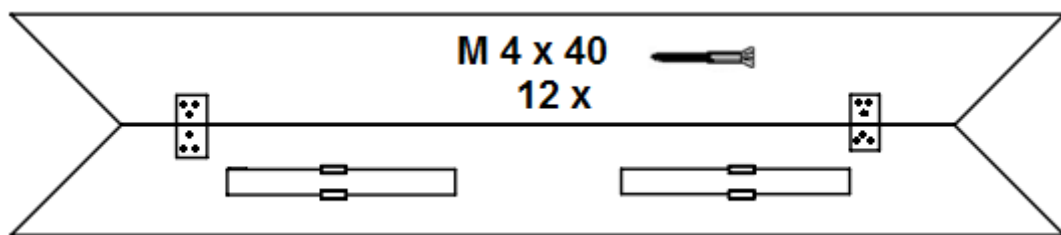
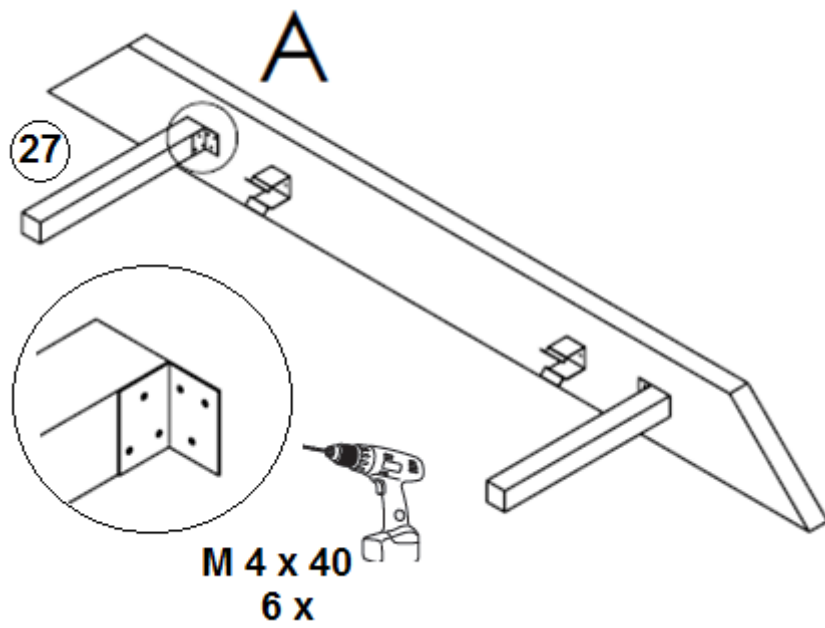
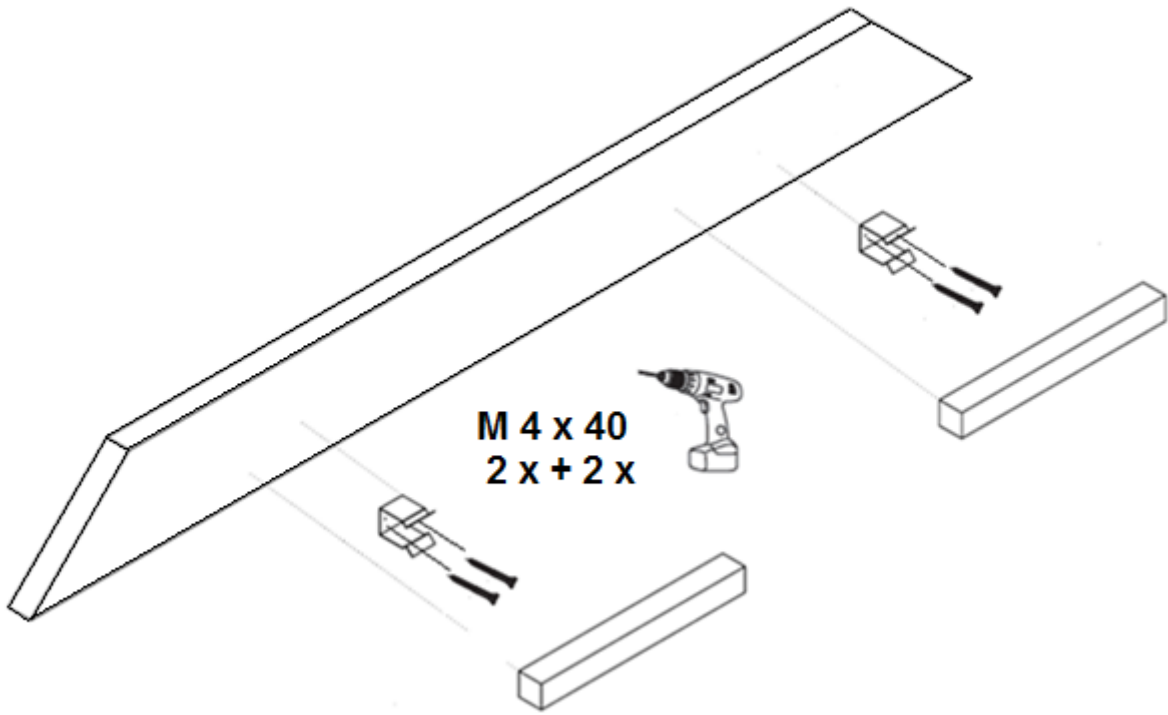


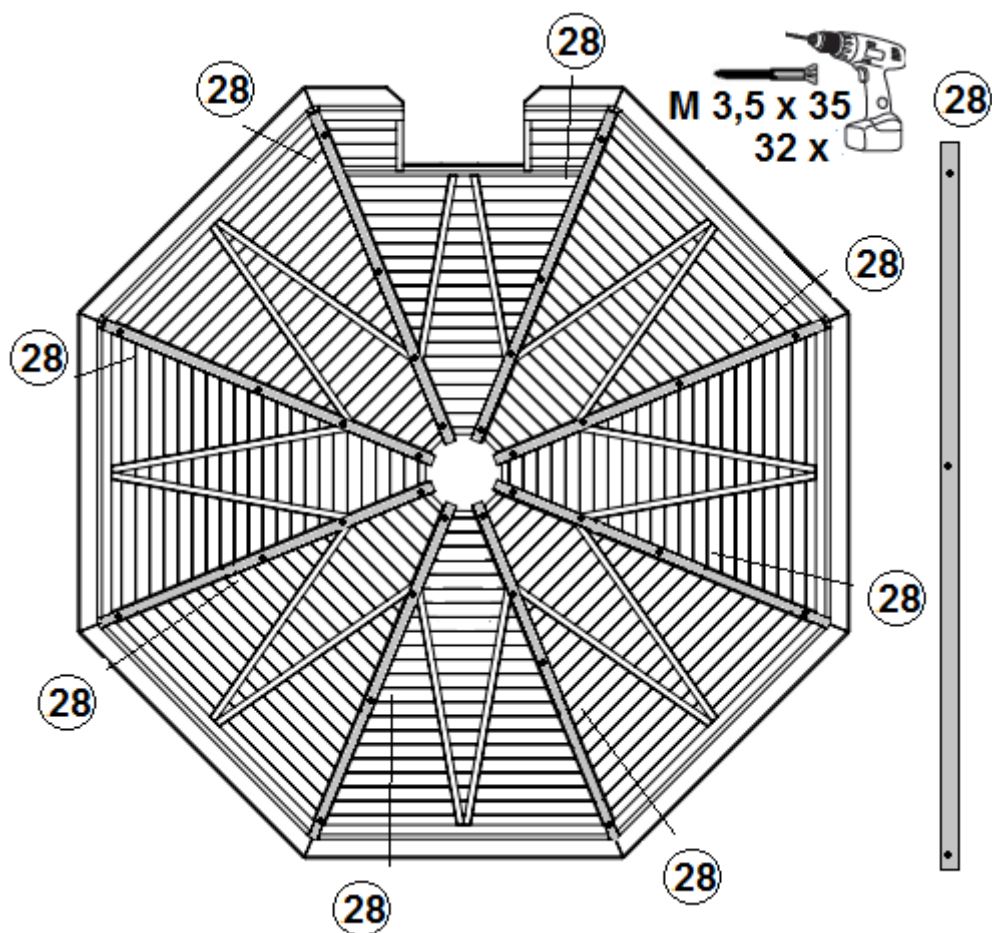
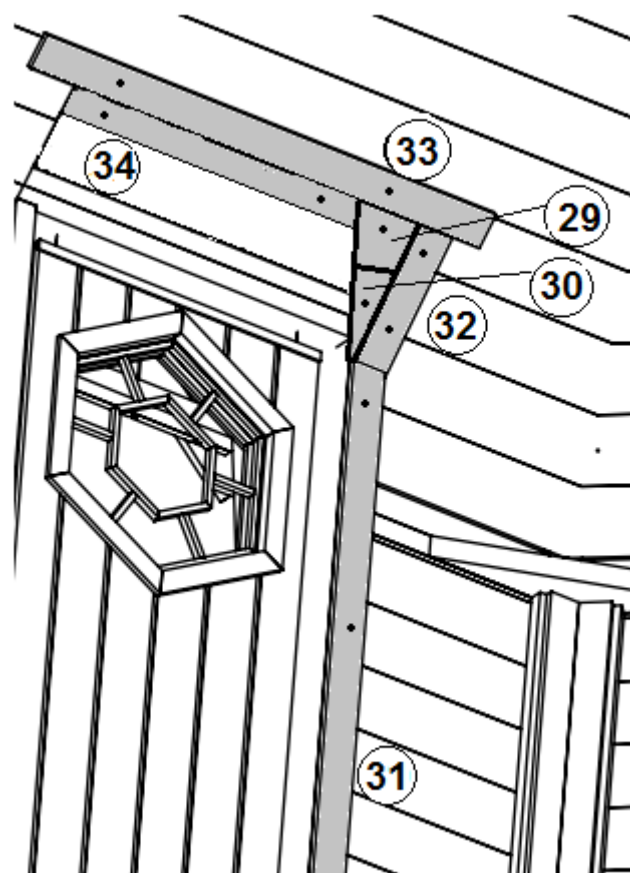
M 4 x 60
4 x

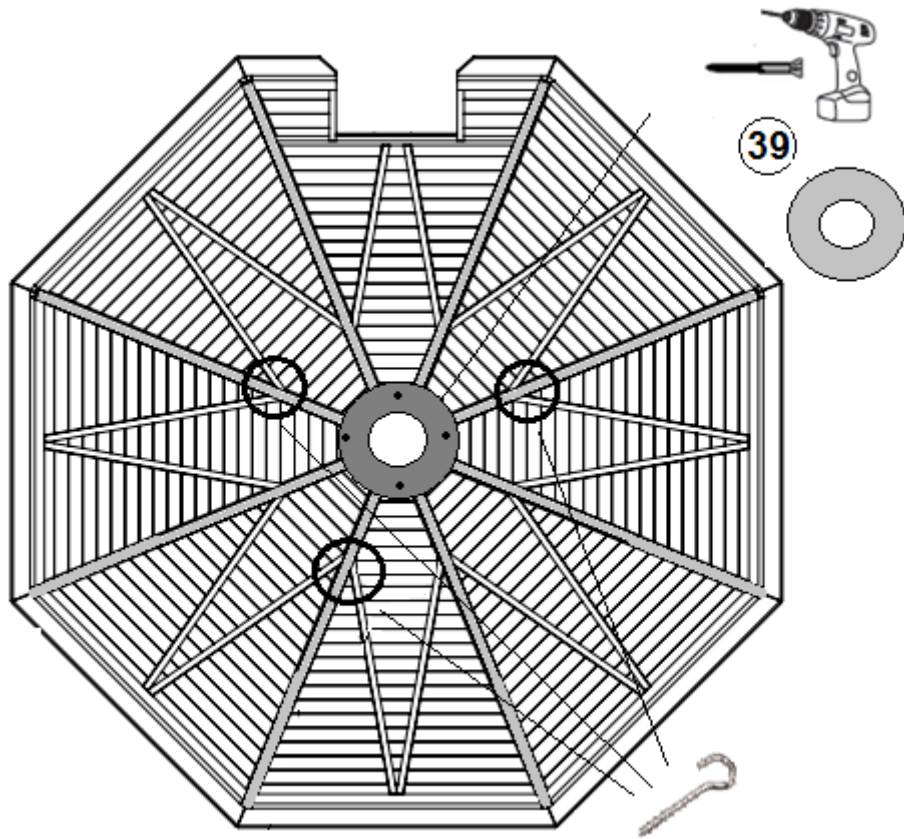
M 3,5 x 35
2 x + 2 x

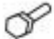













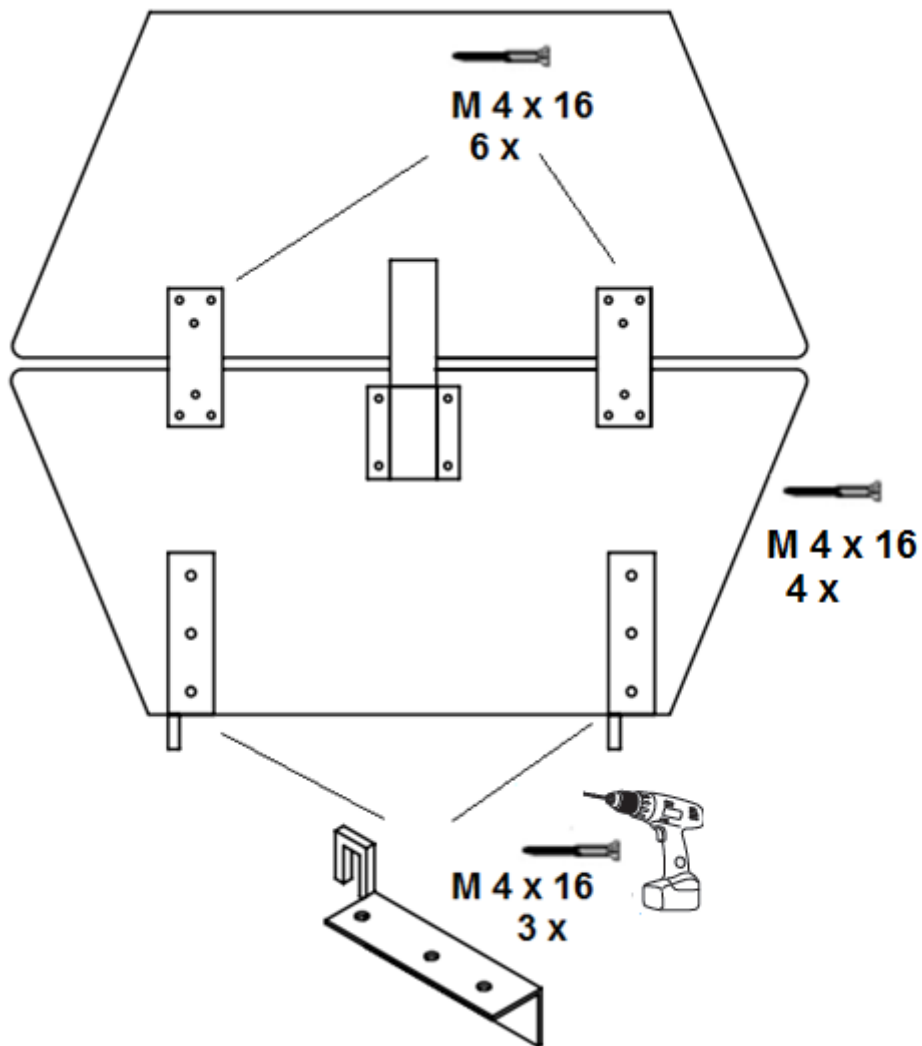
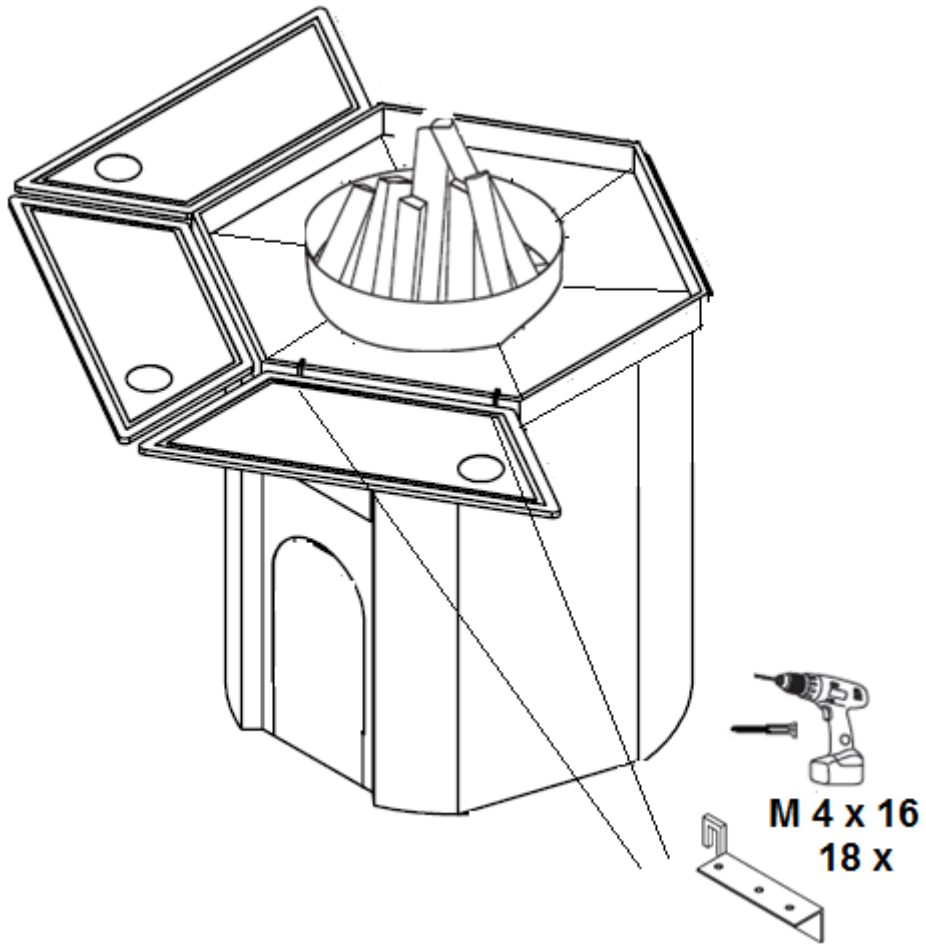
 **6 x M 8**

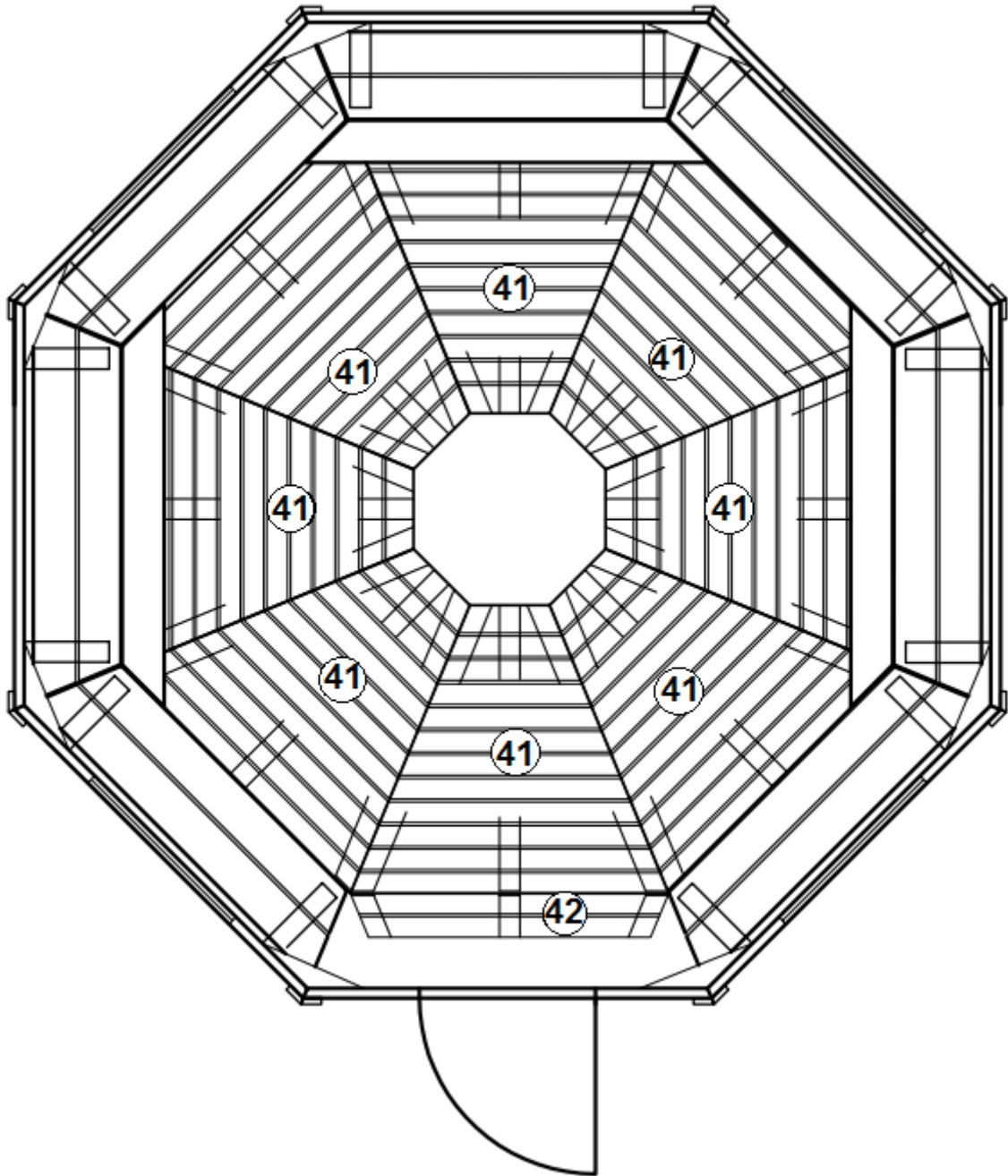
 **6 x M 8**

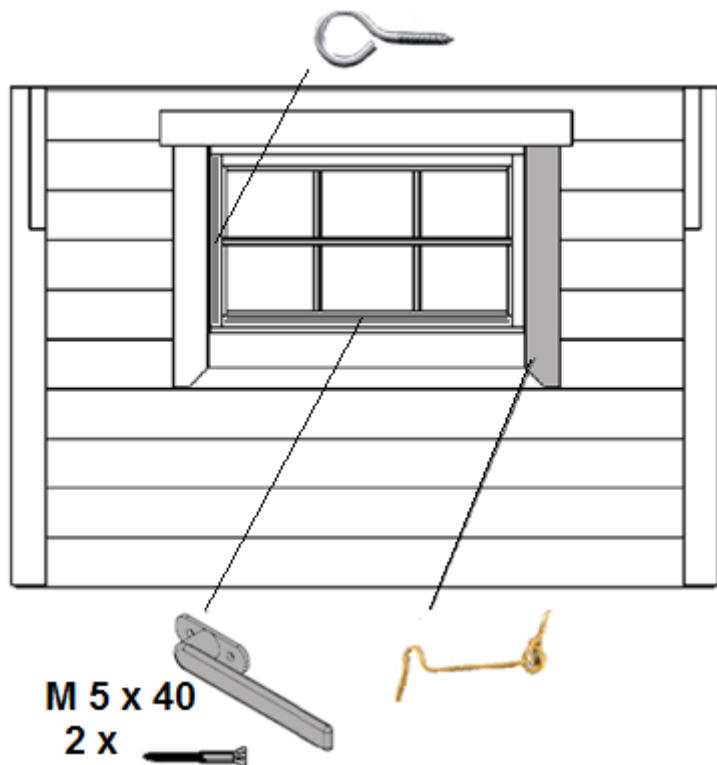
 **6 x M 8**

 **6 x M 8**









General safety instructions

GENERAL HAZARD WARNING

Failure to comply with the precautions and instructions provided with this grill can result in death, serious bodily injury and property loss or damage from hazards of fire, explosions and burn.

Only persons who can understand and follow the instructions in this manual should use the grill house. If you need assistance or information such as instructions, manual, labels etc. contact the manufacturer or your seller.

WARNING

Fire, burn, explosion hazard. Use solid combustibles, such as dry wood or charcoal as recommended by the instructions. Never attempt to burn materials which may contain flammable, volatile or airborne combustibles or products such as gasoline, solvents, paint thinner, and dust particles or unknown chemicals.

WARNING

Never use gasoline or other inappropriate substances to set a fire!

Keep lighter fluids and other fire lighting equipment out of children's reach!

While handling hot cooking plates (lifting, turning), use protective gloves and utilize the wooden handles of the product. Never move, handle or service an operating grill.

Recommended fire starters are natural materials - for example wood chips etc. Avoid burning disposable dishes, plastic, cardboard etc.

Fire produces carbon monoxide fumes, be sure that your smoke collector is working correctly and that you have installed a functioning carbon dioxide alarm.

Steel heats up quickly when used on open fire; do not touch the parts that are not protected by wood.

The maximum height of the flame should not be higher than half way between the smoke hood and the bottom of the fireplace.

Make sure that the fireplace is properly fastened to its base.

Do not lean against the fireplace or smoke hood.

Loose clothing should not be worn while grilling.

Burn only wood or charcoal in the fireplace.

Keep water nearby for flare-ups.

Make sure you have fire-extinguishing equipment at hand and teach also others to use them.

Metal burning ring should always be used when burning wood or charcoal.

After use of grill never leave hot ashes or embers unattended. Never leave children or animals alone in the grill house! NEVER TOUCH ANY METAL SURFACES WHILE THE GRILL IS IN USE!

Do not sleep in a grill house while the fire is on!

FOLLOW THE FIRE SAFETY INSTRUCTIONS!

MAINTENANCE

All Arctic Finland House products should be used according to the Arctic Finland House product manual (this document). All of Arctic Finland House products are made from natural wood and it is customer's responsibility to protect / paint his / hers product against the weather. All the products should be treated as normal wood houses. Products need to be protected from mold and painted so that they will last longer. Customer should also make sure that product's air circulation is working also during winter time. This means that customer should make sure that replacement air pipes are open all year around and that moisture gets out from the product (through smoke pipe). Customer should also make sure that Arctic Finland House's product's roof is not covered by heavy snow. There shall not be more than 20 cm (depth) snow on the roof and smoke pipe should never be covered by snow nor closed manually. This will cause moisture inside product and mold inside structure.

All replacement parts are readily available at your Arctic Finland House Retailers.

LIMITED LIABILITY

Arctic Finland House guarantees this product to be free from defects in materials or workmanship to the original consumer. This guarantee is for the periods herein specified when used under normal and reasonable conditions, one (1) year from the date of original purchase. This warranty does not include the cost of property damage or any inconvenience due to the failure of the product. Nor does it cover damage due to misuse, abuse, accident, or damage resulting from transportation of the product. Nor does it include damage resulting from the commercial use of this product. If the product fails to operate due to a defect in materials or workmanship during the warranty period, the defective part will be repaired or replaced at Arctic Finland House's option. If you wish to obtain performance under this limited warranty, you should contact your Arctic Finland House retailer. The defective part, along with proof of purchase, must be returned postage prepaid to Arctic Finland House retailer. We suggest that you keep your purchase receipt as we may require reasonable proof of purchase. All implied warranties, including the implied warranties of merchantability and fitness for a particular purpose, are limited in duration to the express warranty periods specified herein for the parts described herein.

Neither Arctic Finland House dealers, nor the retail establishment selling this product has any authority to make any warranties or to promise remedies in addition to or inconsistent with those stated above. Arctic Finland House's maximum liability shall not exceed the purchase price of the product paid by the original consumer. Arctic Finland House and the Arctic Finland House logo are registered trademarks of Arctic Finland House.

CAUTION

Accessible parts may be very hot. Keep young children away. • CARBON MONOXIDE HAZARD-THIS APPLIANCE CAN PRODUCE CARBON MONOXIDE (no odor). Do not use in enclosed areas, (for example: car, tent, caravan, mobile home) may cause death. This appliance shall only be used in an above ground, with proper ventilation, without stagnant areas, where gas leakage & products of combustion are rapidly dispersed by wind & natural convection. • Use appliance only in horizontal position. • This appliance must only be serviced by an authorized person. • Do not use this appliance if it has damaged or worn seals. • Do not move this appliance during operation.

IF YOU ARE NOT SURE WHAT YOU ARE DOING, CONTACT YOUR CLOSEST ARCTIC FINLAND HOUSE DEALER FOR HELP.