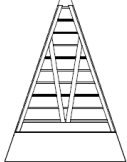




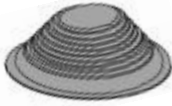
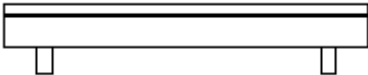








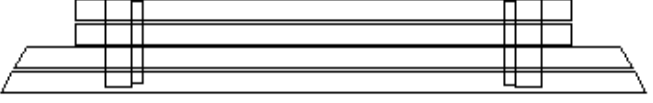



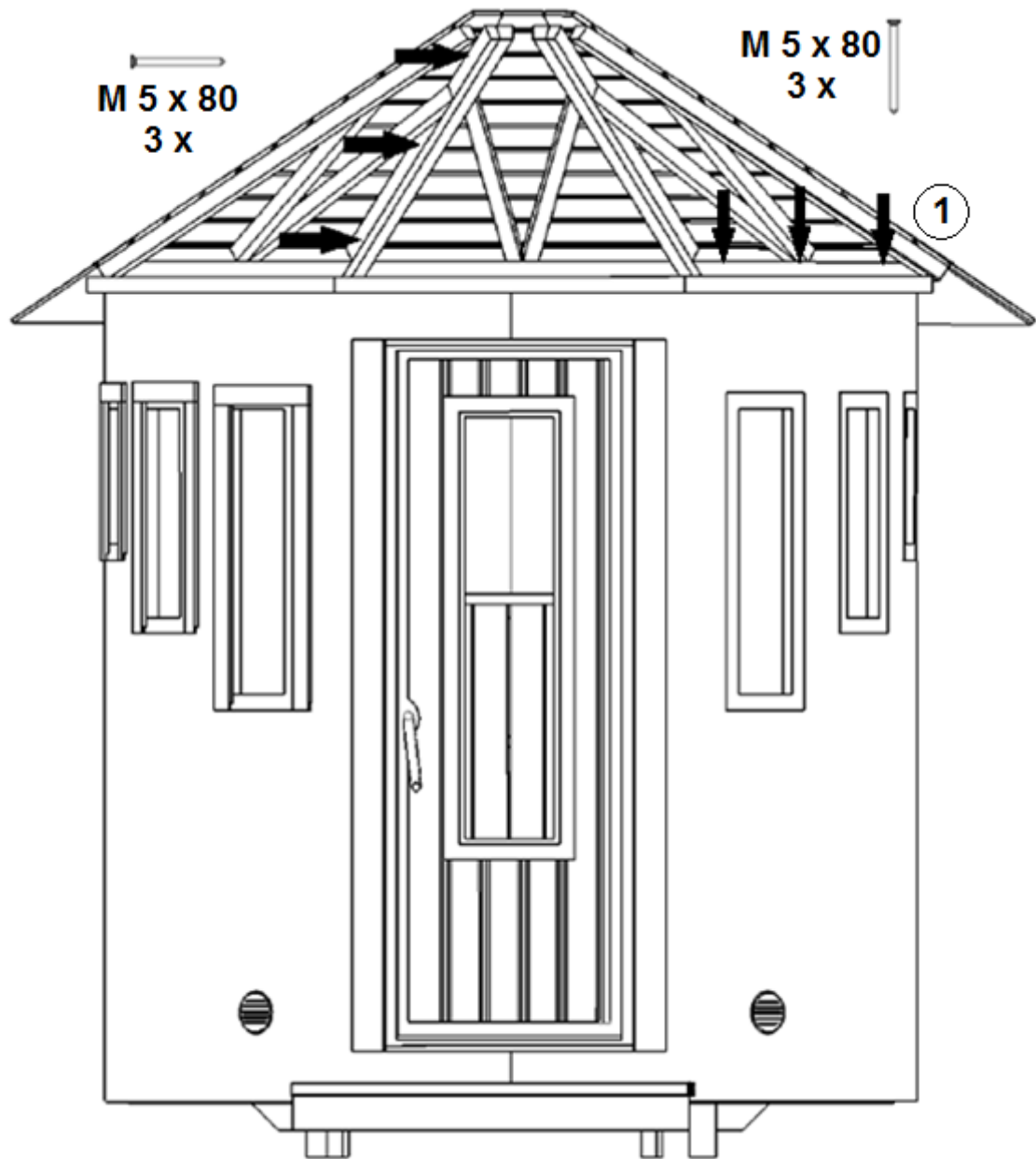


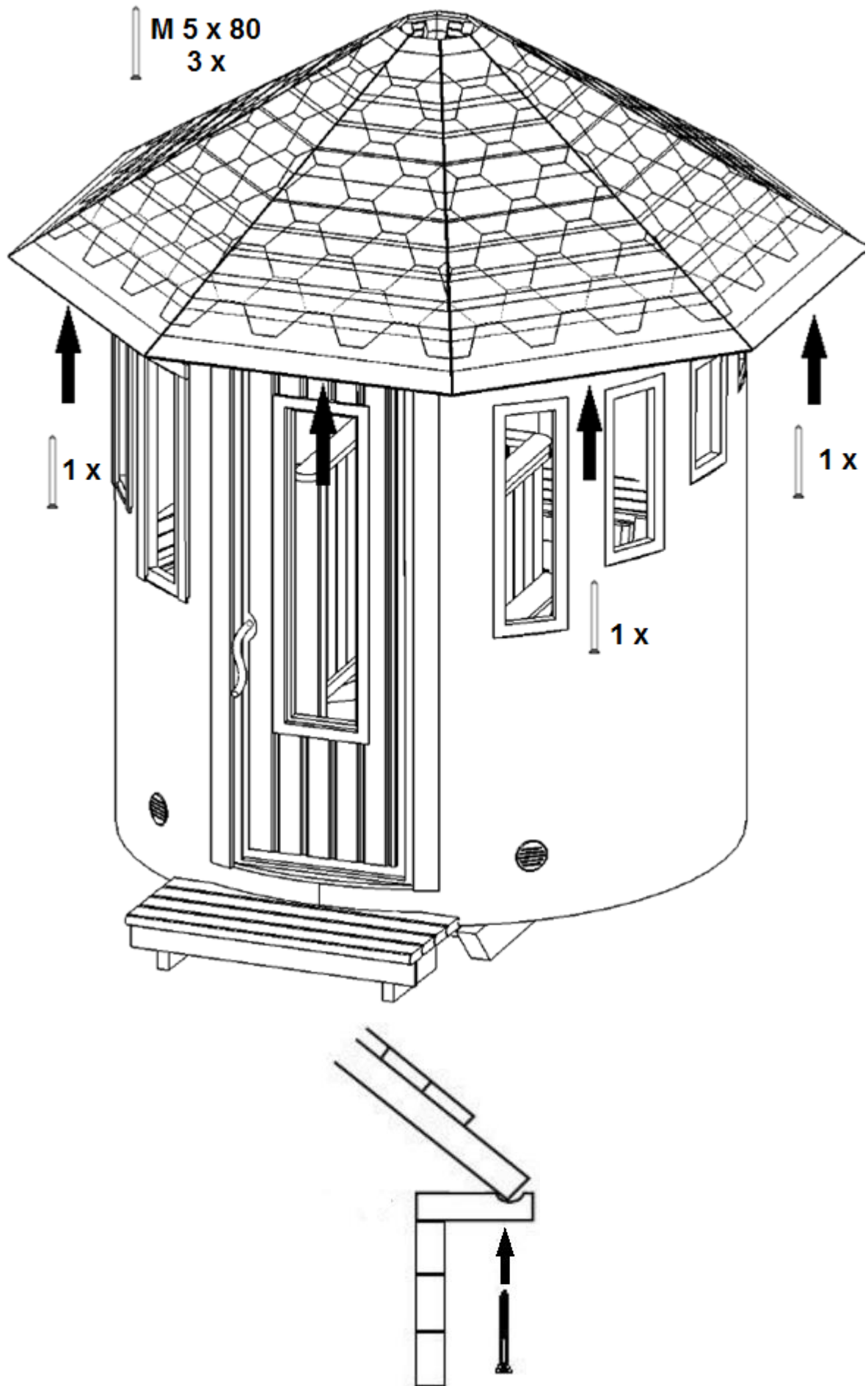
**Oskar**

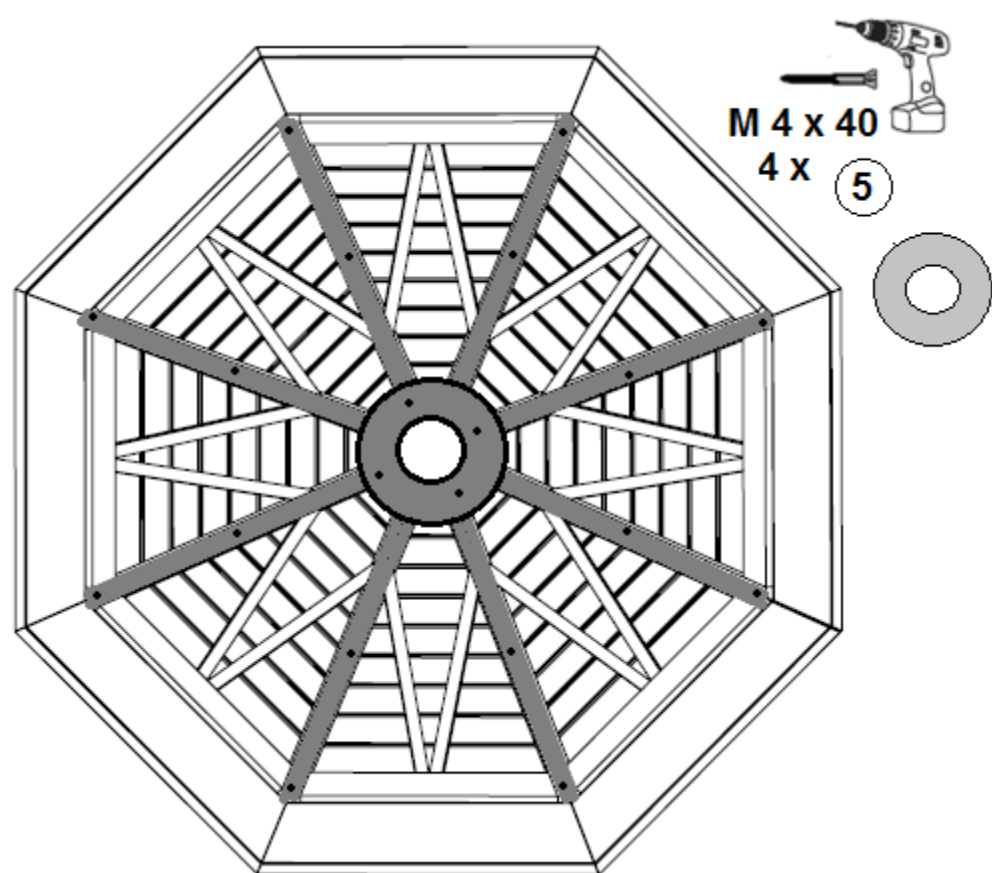
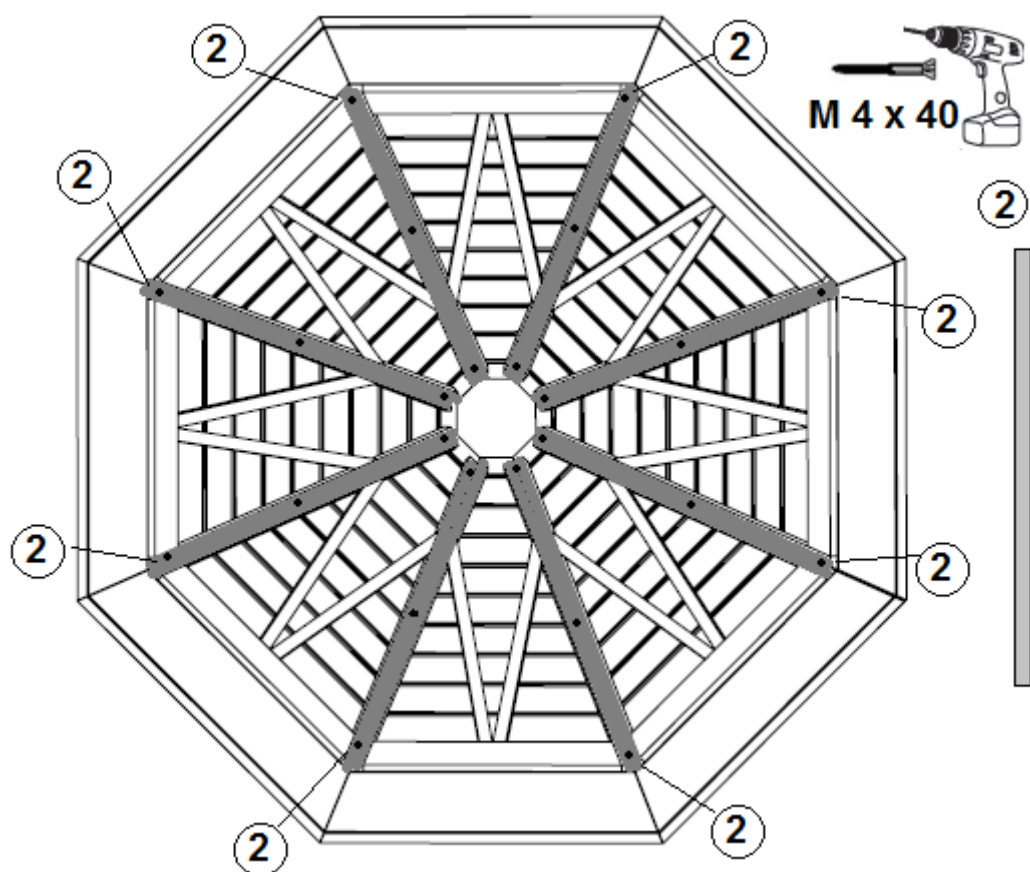
**Ø 2265**

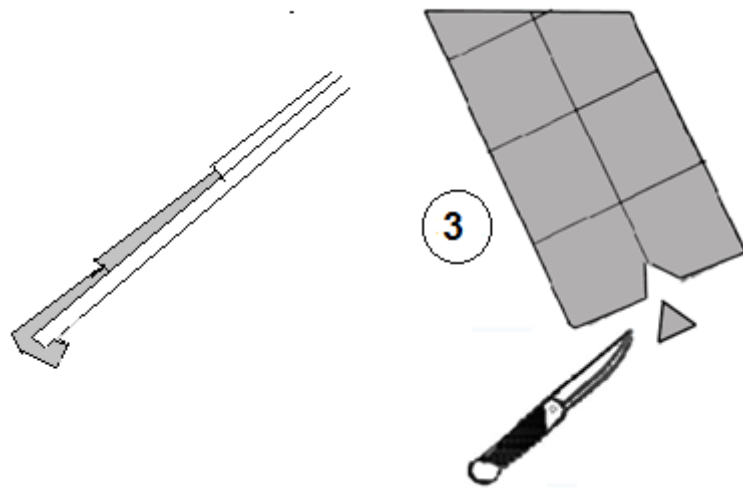
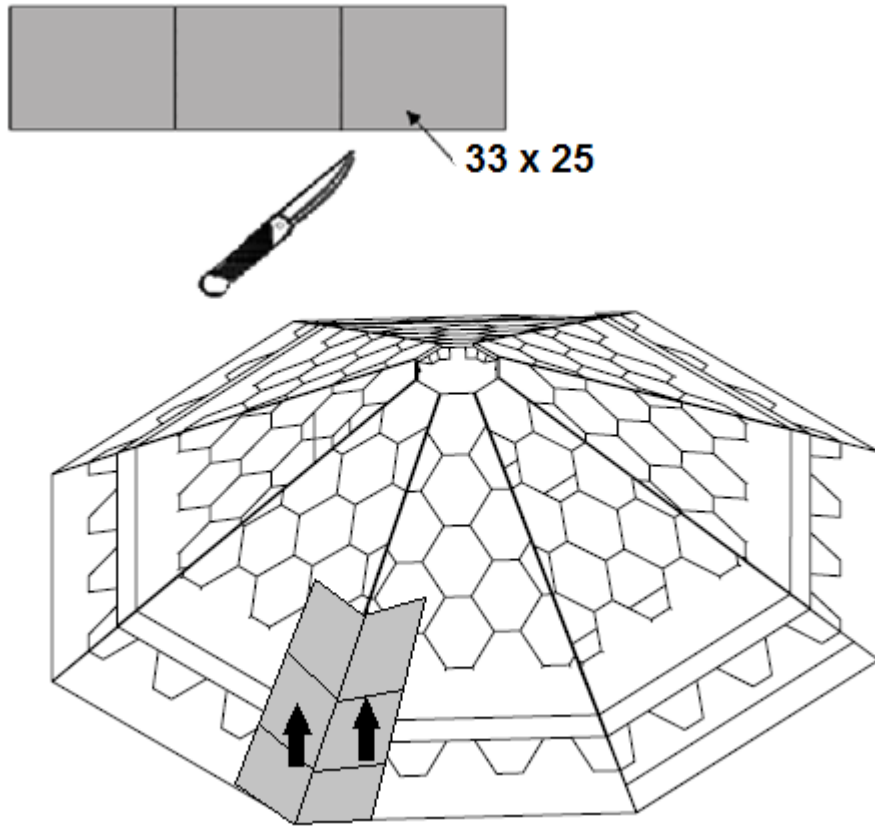
Nr	Name, description, dimensions	Quantity	Detail
1	Roof detail	8	
2	Roof inner slats ( 1390mm)	8	
3	Connection cover strip (1005x250blocks)	2,5	
4	Roof outer collar	1	
5	Roof inner collar	1	
6	Chance collar	1	
7	Stair	1	
8	Heater + piece of sheet front of the heater + protective sheath	1	
9	The heater assembly with boiler	1	
10	Pipe ( 1000mm )	1	
11	Pipe ( 1000mm )	1	
12	Extension ( 300mm )	1	
13	End of the stuck	1	

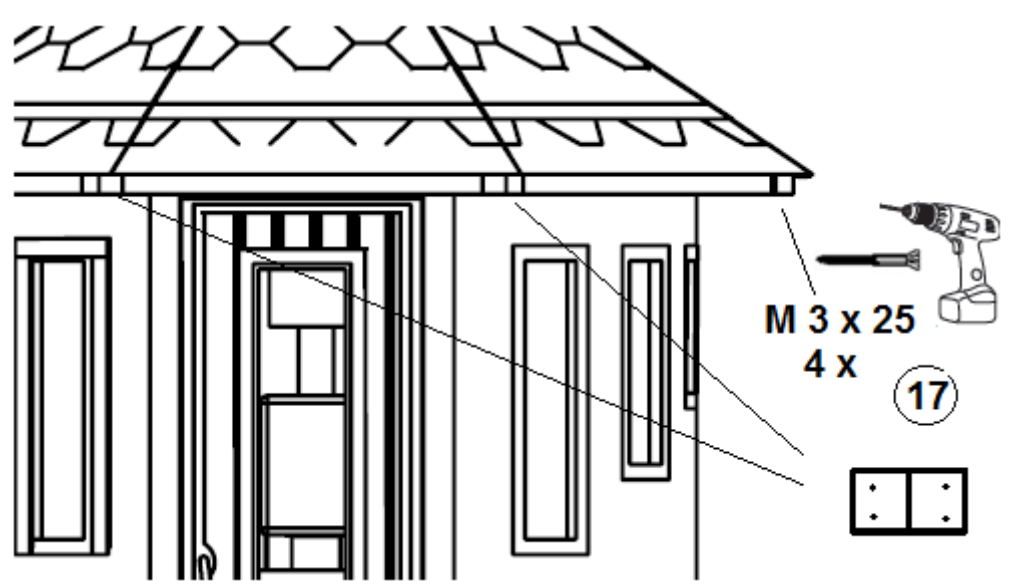
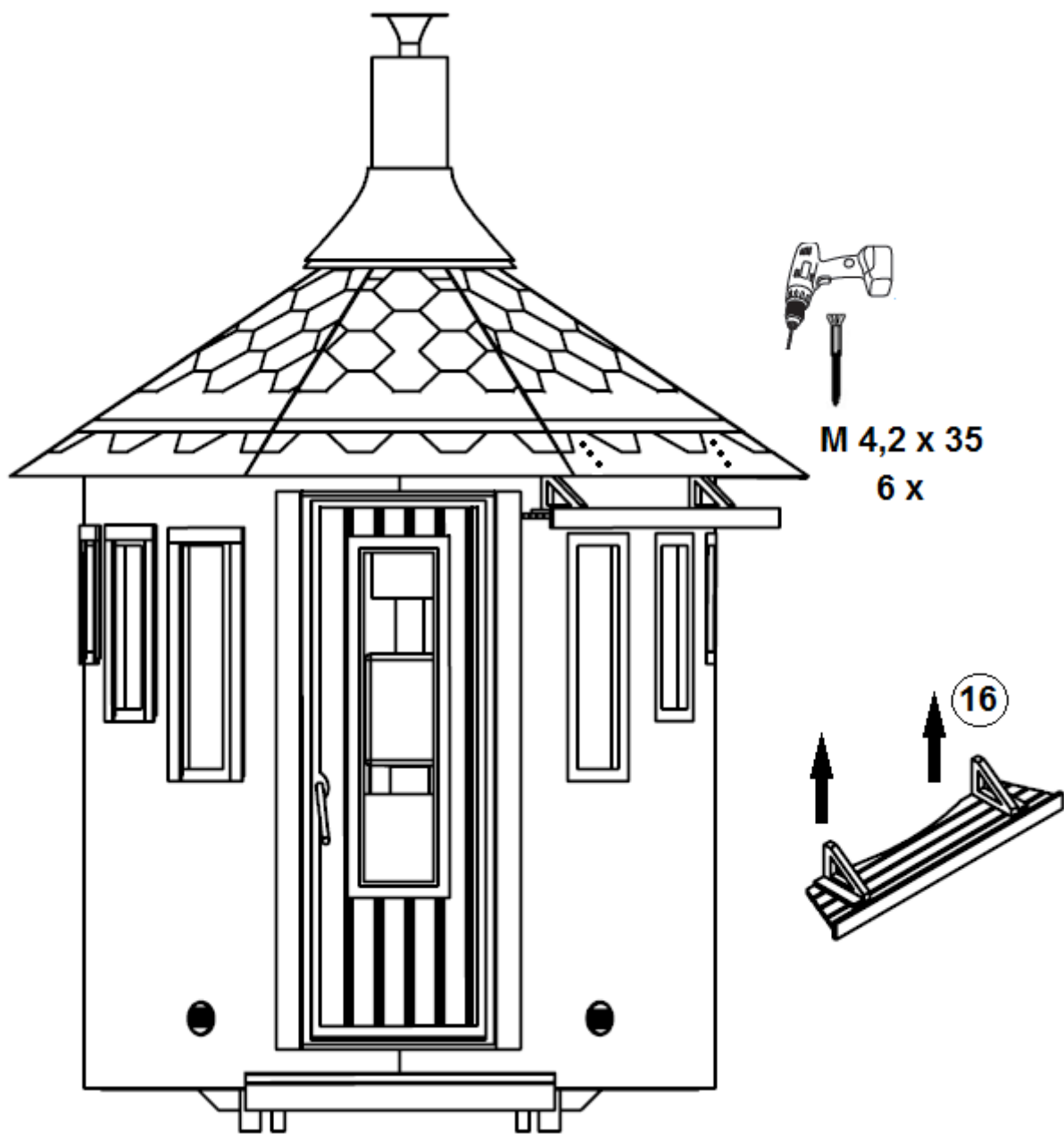
14	Clamp	3	
15	Pipe connection part with boiler	1	
16	Eavesgrate	8	
17	Corner for decoration slat	8	



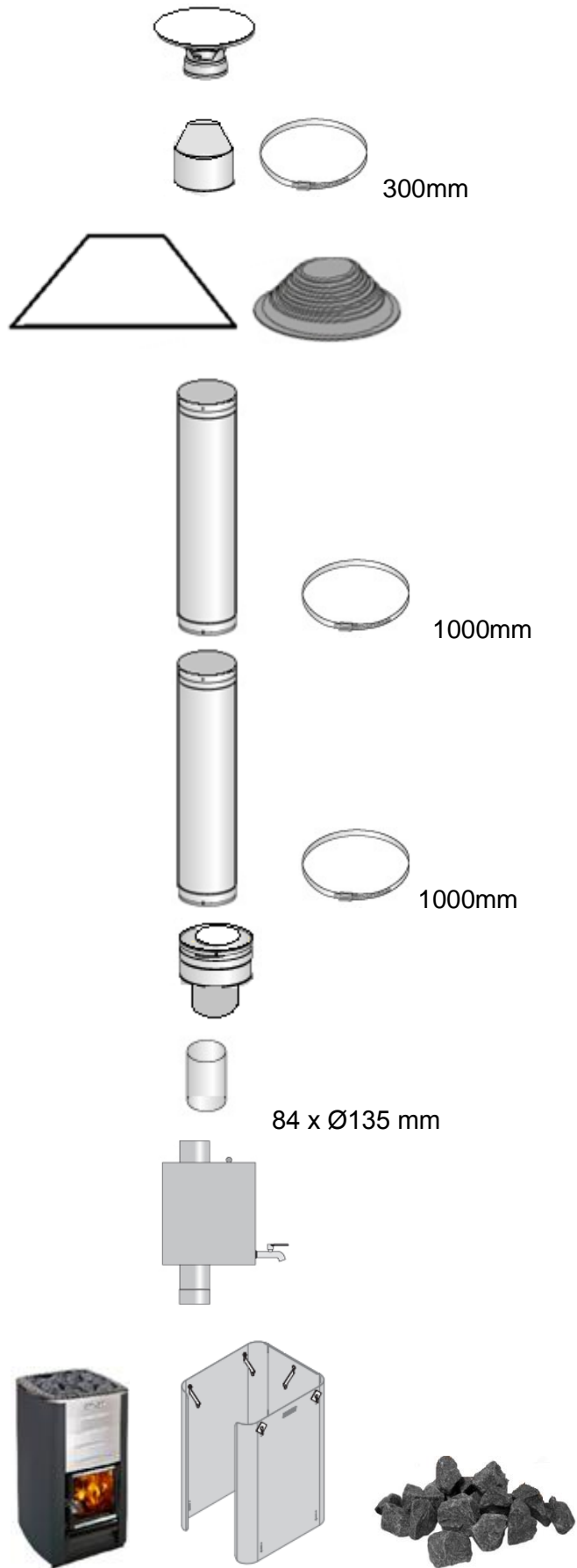












All photographs are illustrative. Technical changes, printing errors, changes and errors possible! All models are rough.

Alles Fotos sind illustrativ. Technische Änderungen, Druckfehler und Irrtümer vorbehalten! Sämtliche Modelle werden Naturbelassen geliefert.